

## Ultrasonic Anemometer 2D compact

### Instruction for Use

4.387x.xx.xxx

from software version V3.15 Status: 01/2022



Dok. No. 021546/07/23

THE WORLD OF WEATHER DATA

### Safety Instructions

- Before operating with or at the device/product, read through the operating instructions. This manual contains instructions which should be followed on mounting, start-up, and operation. A non-observance might cause:
  - failure of important functions
  - endangerment of persons by electrical or mechanical effect
  - damage to objects
- Mounting, electrical connection and wiring of the device/product must be carried out only by a qualified technician who is familiar with and observes the engineering regulations, provisions and standards applicable in each case.
- Repairs and maintenance may only be carried out by trained staff or **Adolf Thies GmbH & Co. KG**. Only components and spare parts supplied and/or recommended by **Adolf Thies GmbH & Co. KG** should be used for repairs.
- Electrical devices/products must be mounted and wired only in a voltage-free state.
- **Adolf Thies GmbH & Co KG** guarantees proper functioning of the device/products provided that no modifications have been made to the mechanics, electronics or software, and that the following points are observed:
- All information, warnings and instructions for use included in these operating instructions must be taken into account and observed as this is essential to ensure trouble-free operation and a safe condition of the measuring system / device / product.
- The device / product is designed for a specific application as described in these operating instructions.
- The device / product should be operated with the accessories and consumables supplied and/or recommended by **Adolf Thies GmbH & Co KG**.
- Recommendation: As it is possible that each measuring system / device / product may, under certain conditions, and in rare cases, may also output erroneous measuring values, it is recommended using redundant systems with plausibility checks for **security-relevant applications**.

### Environment

- As a longstanding manufacturer of sensors Adolf Thies GmbH & Co KG is committed to the objectives of environmental protection and is therefore willing to take back all supplied products governed by the provisions of "ElektroG" (German Electrical and Electronic Equipment Act) and to perform environmentally compatible disposal and recycling. We are prepared to take back all Thies products concerned free of charge if returned to Thies by our customers carriage-paid.
- Make sure you retain packaging for storage or transport of products. Should packaging however no longer be required, please arrange for recycling as the packaging materials are designed to be recycled.



### Documentation

- © Copyright **Adolf Thies GmbH & Co KG**, Göttingen / Germany
- Although these operating instruction has been drawn up with due care, **Adolf Thies GmbH & Co KG** can accept no liability whatsoever for any technical and typographical errors or omissions in this document that might remain.
- We can accept no liability whatsoever for any losses arising from the information contained in this document.
- Subject to modification in terms of content.
- The device / product should not be passed on without the/these operating instructions.

## **Patent Protection**

This instrument is patent-protected  
Patent No.: EP 1 448 966 B1  
Patent No.: US 7,149,151 B2

## **Operating Instructions**

These operating instructions describe all possible applications and settings of the instrument.  
**The *Ultrasonic Anemometer 2D compact* is factory-set.**

Identification for the factory setting derives from the order No. and the respective "Factory Setting"

## **Order number and Setting see supplementary sheet "Factory Setting"**

With these detailed operating instructions and via the serial interface of the Ultrasonic Anemometer 2D compact it is possible for the user to adapt the factory-settings to his own requirements.

## **Shipment**

- 1 x Ultrasonic Anemometer Compact
- 1 x Short instructions for use (the complete instructions for use is available for download)
- 1 x Supplementary Sheet: Factory Setting
- 1 x Factory certification

The instructions for use are available for download under the following link:

[https://www.thiesclima.com/db/dnl/4.387x.xx.xxx\\_US-Anemometer-2D-compact\\_eng.pdf](https://www.thiesclima.com/db/dnl/4.387x.xx.xxx_US-Anemometer-2D-compact_eng.pdf)

## Contents

1	Models Available.....	6
2	Application .....	7
3	Mode of Operation .....	8
3.1	Measuring Principle: Wind Velocity and Direction .....	8
3.2	Measuring Principle: Acoustic Virtual Temperature.....	9
3.3	Measuring Principle: Air Pressure (Optional) .....	9
3.4	Heating.....	9
4	Preparation for Operation.....	12
4.1	Selection of Installation Site.....	12
4.2	Installation of Anemometer .....	13
4.3	Alignment to North / Positioning.....	14
4.4	Electrical Installation for Ultrasonic Anemometer .....	15
4.4.1	Cables, Cable preparation, Connector Installation .....	16
4.4.2	Connector Pin Assignment (Examples of Function) .....	17
5	Maintenance .....	19
6	Calibration.....	19
7	Warranty .....	20
8	Functional Description .....	20
8.1	Serial Communication .....	20
8.1.1	Duplex Mode.....	21
8.1.2	Response Delay .....	21
8.1.3	General Telegram structure for the Thies Interpreter. ....	22
8.1.4	Saving of the ULTRASONIC Parameters .....	22
8.1.5	Return values of ULTRASONIC .....	23
8.1.6	Access Mode .....	23
8.1.7	Baud Rate.....	25
8.1.8	Instrument ID .....	26
8.1.9	Bus Mode .....	26
8.2	Analogue Outputs.....	27
8.2.1	Scaling of Analogue wind velocity .....	27
8.2.2	Correction to North.....	27
8.3	Instantaneous Values and Output of Raw Measured Values .....	28
8.3.1	Averaging .....	28
8.4	Serial Data Output.....	29
8.4.1	Data Query .....	29
8.4.2	Independent Telegram Output .....	29
8.4.3	Fixed Telegram Formats.....	29
8.4.4	Generation of Check Sum.....	31
8.4.5	Status Information.....	31
8.5	Behaviour of Instrument under extreme Conditions of Measurement Value Acquisition.....	33
8.6	Behaviour in Case of Error .....	34
8.6.1	Behaviour of Analogue Outputs .....	34
8.6.2	Behaviour of Telegram Output .....	34
8.7	Output of all System Parameters .....	34
8.8	Enquiry about Software Version .....	34
8.9	Forcing a Restart.....	34

8.10	Energy-saving Mode.....	35
8.11	Plausibility .....	35
8.12	Online Help.....	35
9	Configuration of Ultrasonic Anemometer by Customer.....	36
10	Thies Command Interpreter .....	37
10.1	List of Commands Thies Interpreter.....	37
10.2	Command and Description .....	38
11	MODBUS RTU Command Interpreter .....	57
11.1	MODBUS RTU Telegram Construction.....	57
11.2	Command Description .....	58
11.3	Measuring Values (Input Register) .....	58
11.4	Commands (Holding Register).....	61
12	Appendix 1 Predefined Data Telegrams.....	62
12.1	Telegram 1 VD .....	62
12.2	Telegram 2 VDT .....	63
12.3	Telegram 3 VD2 .....	64
12.4	Telegram 00004 NMEA .....	65
12.5	Telegram 7 Vx, Vy, VT.....	66
12.6	Telegram 8 VDM .....	67
12.7	Telegram 9 VDPM (OF = 8).....	69
12.7.1	Telegramm 9 (OF=2) .....	70
12.8	Telegram 11 PBT .....	71
12.9	Telegram 12 Scientific Telegram .....	72
13	Technical Data .....	73
14	Dimension Drawing.....	75
15	Accessories (available as optional features) .....	76
16	More Information / Documents as download .....	76
17	EC-Declaration of Conformity .....	77
18	UK-CA-Declaration of Conformity .....	78

## **Figure**

Figure 1: Connector installation .....	17
--	----

## **Table**

Table 1: Restrictions in full and half duplex mode.....	21
Table 2: Access key for different command levels.....	24
Table 3: Config. of analogue outputs WV/RXD- and WD/RXD+ with parameters AO a. SC..	27
Table 4: List of predefined data telegrams.....	30
Table 5: Adjustment of averaging periods with parameter AV .....	40
Table 6: List of baud rates with telegram BR .....	41
Table 7: Conversion factors between different wind velocities .....	50
Table 8 : MODBUS Frame .....	57
Table 9 : MODBUS Exceptions .....	57
Table 10 : MODBUS Input Register.....	60
Table 11 : List of commands MODBUS RTU Interpreter.....	61

# 1 Models Available

Description	Article- No. *	Parameter	Output / Interface/ Equipment
US-Anemometer 2D Compact	4.3875.0X.XXX	Wind velocity Wind direction Virtual temperature	- 0 ... 20mA / 0 ... 10V (4 ... 20mA / 2 ... 10V) - RS485/ 422 - 8 pole plug connection - heating for: base plate cover plate Sensor receiving sockets US-transducer - hard-anodized housing
	4.3875.1X.XXX	Wind velocity Wind direction Virtual temperature	- w/o heating for US-transducer
	4.3875.2X.XXX	Wind velocity Wind direction Virtual temperature Barometric air pressure	- with optionally integrated Baro-transmitter
	4.3875.XX.XXX	Depending on article no.	Configuration concerning - outputs - data telegrams - scaling - heating - etc.
	4.3875.6X.XXX	Wind velocity Wind direction Virtual temperature	- Reinforced heating with 48V DC supply - 0 ... 20mA / 0 ... 10V (4 ... 20mA / 2 ... 10V) - RS485 - 8 pole plug connection - heating for: base plate cover plate Sensor receiving sockets US-transducer - hard-anodized housing

\* The complete article-no. results from the arranged equipment and configuration.

## 2 Application

---

The **Ultrasonic Anemometer 2D compact** is used to detect the horizontal components of **wind velocity** and **wind direction** in 2 dimensions in particular sturdy design. In addition, the **virtual temperature** is measured.

**Optionally, the measurement of the “atmospheric air pressure (absolute)” is possible.**

**The instrument is especially suited for application in the fields of**

- Industrial automation
- Regenerative power generation (wind power plants)
- Building automation
- Traffic engineering/ control system
- maritime and offshore applications

Due to the measuring principle the instrument is ideal for inertia-free measurement of gusts and peak values.

Output of the measured values can be either digital and / or analogue.

- analogue, as a standard signal or / and in
- ASCII (THIES format) or
- binary (MODBUS RTU protocol)

The analogue and digital interfaces operate in electrical isolation from supply and housing potential. Thus, there is no galvanic connection, which might result in a superposition of interference currents or voltages on the output signals.

*Digital output:* An RS485/422 is available for serial communication. It can be operated in full or half-duplex mode. For the output of measured values there are a number of pre-defined telegrams (e.g., WV, WD, WVx, WVy, NMEA etc.).

A **MODBUS RTU protocol** is additionally implemented for extended standardised communication. The device can be switched to MODBUS-RTU mode with the relevant command.

*Analogue outputs:* Wind velocity and direction are output either as a power or voltage signal. Individual measuring range scaling of the analogue outputs for WV and WD are selectable.

The serial or analogue output of the data is either as an instantaneous value or as a gliding mean.

The instrument is automatically heated if necessary with critical ambient temperatures. This also ensures functionality with snowfall and sleet and minimises the risk of malfunctions due to icing-up.

Thanks to the optional integrated ultrasonic converter heating the instrument is especially suited to cope with difficult icing conditions in high mountains and in other critical locations.

The instrument is equipped with a battery-buffered real-time-clock, so that the data telegrams are output with date- and time-stamp.

## 3 Mode of Operation

---

The **Ultrasonic Anemometer 2D compact** consists of 4 ultrasonic transformers, in pairs of two facing each other at a distance of 135mm. The two resulting measurement paths are vertical to each other. The transformers function both as acoustic transmitters and receivers. The electronic control system is used to select the respective measurement path and its measuring direction. When a measurement starts, a sequence of 4 individual measurements is performed in all 4 directions of the measurement paths in a basis measuring cycle of one msec.

The measuring directions (sound propagation directions) rotate clockwise.

The mean values are worked out from the 4 individual measurements of the path directions and used to make further calculations.

The time required for a measuring sequence is exactly 10.0ms (8ms measuring sequence +2 ms analysis) at the maximum measuring speed.

### 3.1 Measuring Principle: Wind Velocity and Direction

The speed of propagation of the sound in calm air is superposed by the velocity components of an airflow in the direction of the wind.

A wind velocity component in the propagation direction of the sound supports the speed of propagation; i.e., it increases it while a wind velocity component against the propagation direction reduces the speed of propagation.

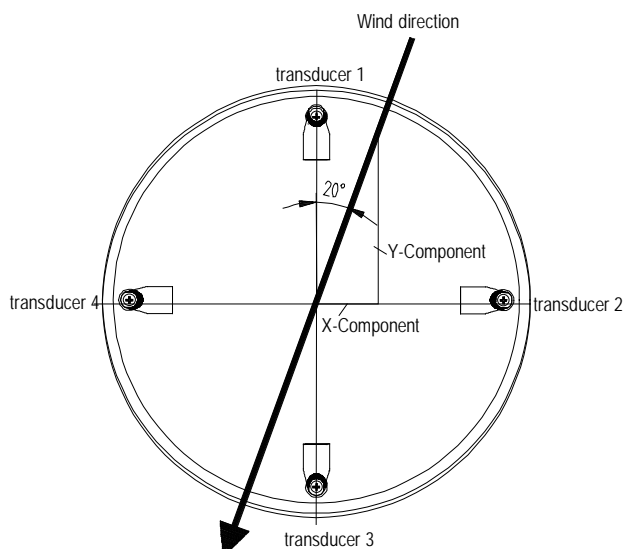
The propagation speed resulting from superposition leads to different propagation times of the sound at different wind velocities and directions over a fixed measurement path.

As the speed of sound greatly depends on the temperature of the air, the propagation time of the sound is measured on each of the two measurement paths in **both** directions. This rules out the influence of temperature on the measurement result.

By combining the two measuring paths, which are at right angles to each other, the measurement results of the sum and the angle of the wind, velocity vector are obtained in the form of rectangular components.

After the rectangular velocity components have been measured, they are then converted to polar coordinates by the  $\mu$ -processor of the anemometer and output as a sum and angle of wind velocity.





### 3.2 Measuring Principle: Acoustic Virtual Temperature

The thermodynamic interrelationship between the propagation velocity of sound and the absolute temperature of the air is defined by a root function. The sound velocity is also more or less independent of the air pressure and only depends on the absolute air humidity to a minor extent.

This physical interrelationship between sound velocity and temperature is ideal when measuring the air temperature as long as the chemical composition is known and constant. The levels of gases in the atmosphere are constant and with the exception of water vapour content vary at most by a few 100ppm (CO<sub>2</sub>) even over lengthy periods.

Determination of gas temperature via its sound velocity is performed directly from measurement of its physical properties without the step of thermal coupling of this gas to a sensor, which would otherwise be necessary.

---

**Remark:**

*Due to warming of the instrument by solar radiation or heating activity the measuring value can be considered only conditionally as real measuring value, particularly at low wind velocities.*

---

### 3.3 Measuring Principle: Air Pressure (Optional)

The air pressure is measured via an MEMS sensor, basing on a piezo-resistive technology. The sensor is situated on the pc-board.

### 3.4 Heating

For many applications the continuous output of real measuring data of wind velocity and direction is an essential requirement to the measurement system even under meteorological extreme conditions such as icing situations.

The ultrasonic compact is, therefore, equipped with a sophisticated heating system which keeps a temperature of above +10°C on all outside surfaces, that might disturb the acquisition of run time data by ice formation.

Among the heated outside surfaces there are the base plate, sensor receiving sockets of the ultrasonic transducers, cover plate, and the ultrasonic transducer.

Please pay attention to the fact that the weakest link in the chain determines the complete functionality. Instruments, which heat only parts of the construction, hardly show advantages over completely unheated devices in icing situations.

The Ultrasonic Compact is capable to generate measuring data with high accuracy even in unheated condition with temperatures of up to below -40°C. There is no temperature dependency of the measuring data quality. The heating is necessary only for preventing icing formation at the instrument construction, so that possible disturbances of the run time acquisition can be avoided.

The heating system with a total maximum power of 250W avoids effectively icing according to the in-house icing standard THIES STD 012002.

Thus, icing is safely avoided, for example, at a temperature of -20°C up to a wind velocity of 10m/s.

Functionality:

Heating foils and transistors are activated by a temperature sensor at an appropriate position inside the housing via a two-level-controller, thus providing for a constant temperature at the outside surfaces of approx. +10°C. That means, that the total heating power is activated until the required temperature is reached, and is alternately switched on and off (two-level-control) with a hysteresis of approximately 1 Kelvin.

The necessary integral heating power depends on the thermal coupling to the surrounding air and thus to the wind velocity.

With moderate weather conditions the maximum heating power can be pre-selected in several stages.

See also description of parameter HT (heating), HP (heating power) and HC (heating condition)

The heating can be checked manually by a service technician. If one of the measured distances is interfered for at least 2 s within the first 10 ... 190s after switch-on, the heating switches temporarily to "HT2"; the heating is activated in consideration of heating capacity "HP" and heating conditions "HC", and stays on up to the 190<sup>th</sup> second.

Thus, icing is safely avoided, for example, at a temperature of -20 °C up to a wind velocity of 10m/s.

Functionality:

Heating foils and transistors are activated by a temperature sensor at an appropriate position inside the housing via a two-level-controller, thus providing for a constant temperature at the outside surfaces of approx. +10°C. That means, that the total heating power is activated until the required temperature is reached, and is alternately switched on and off (two-level-control) with a hysteresis of approximately 1 Kelvin.

The necessary integral heating power depends on the thermal coupling to the surrounding air

and thus to the wind velocity.

With moderate weather conditions the maximum heating power can be pre-selected in several stages.

See also description of parameter HT (heating), HP (heating power) and HC (heating condition)

The heating can be checked manually by a service technician. If one of the measured distances is interfered for at least 2s within the first 10 ...190s after switch-on, the heating switches temporarily to "HT2"; the heating is activated in consideration of heating capacity "HP" and heating conditions "HC", and stays on up to the 190<sup>th</sup> second.

## 4 Preparation for Operation

---

### **Attention:**

*The working position of the anemometer is vertical (North arrow on the top).*

*During installation, de-installation, transport or maintenance of the anemometer it must be ensured that no water gets into the connector or cable gland of the anemometer. (IP68 is only fulfilled if the cable socket with connection cable is screwed on).*

*When using a lightning rod take care that it be installed in a angle of 45 ° to a measuring transducer; otherwise there will be deviations in the measured values.*

### 4.1 Selection of Installation Site

As described above, the ultrasonic anemometer transmits sound packages required to measure the propagation speed. If these **sound packages** meet surfaces that reflect sound well, they are thrown back as an **echo** and can may result in **incorrect measurements** under unfavourable conditions.

It is therefore advisable to install the ultrasonic anemometer at a **minimum distance of 1 metre to objects in the measuring level**.

The choice of the installation location depends on the task position (e.g., data acquisition for weather services or for control purposes).

In general, wind meters should register wind conditions over a wide area. To obtain comparable values when measuring the ground wind, measurement should be performed at a height of 10 metres above even and undisrupted terrain. Undisrupted terrain means, that the distance between the wind transmitter and the obstruction should be at least ten times the height of the obstruction (s. VDI 3786, sheet 2). If it is not possible to comply with this provision, the wind meter should be installed at a height at which measured values are influenced by obstructions located in the vicinity to the least possible extent (approx. 6 ... 10m above the interference level). On flat roofs the anemometer should be installed in the middle of the roof and not at the edge to thus avoid any preferential directions.

The ultrasonic-anemometer has an electro-magnetic compatibility, which is far in excess of the required standard threshold value.

Within the complete frequency range, required by standard, electro-magnetic fields with 20 V/m (capacity of the test transmitter) could not affect the measuring value acquisition of the instrument.

In case you intend to install the instrument at transmitter masts or other sources of strong electro-magnetic radiation, where the local field strength is far above the standard threshold value, please contact the manufacturer.

## 4.2 Installation of Anemometer

### Mechanical installation

Proper installation of the ULTRASONIC ANEMOMETER 2D compact is carried out using a tube socket  $\varnothing$  50mm and at least 40mm in length. The inside diameter of the tube socket must be at least 25mm as the electrical connection of the ULTRASONIC is carried out at the bottom of the device.

**Tool:**

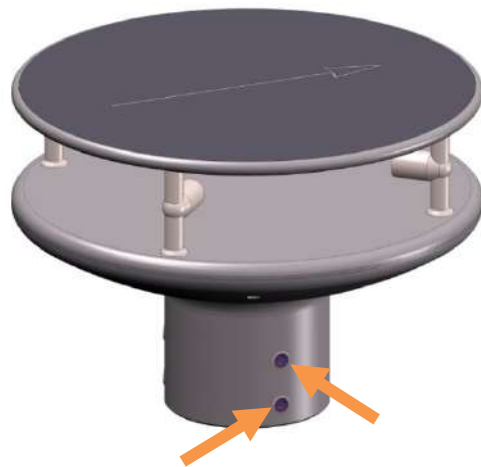
Hexagon socket wrench Gr.4

**Procedure:**

1. Conduct and connect the cable/ plug connection of the ultrasonic anemometer through the boring of the mast, tube, bracket etc.
2. Put the ultrasonic anemometer onto the mast, tube etc.
3. The ultrasonic anemometer "Positioning". See chapter 4.3
4. Lock the ultrasonic anemometer afterwards at the mast by the four M8 hexagon socket screws.

**Caution:**

The allen screws must be tightened to max. 7Nm



## 4.3 Alignment to North / Positioning

### North Alignment (Positioning) of the Anemometer at a Weather Station

For the accurate determination of the wind direction, the anemometer must be positioned to the north.

#### Procedure:

1. „Position“ the ultrasonic anemometer by rotating on the mast tube until the **Orientation arrow ①** indicates to northern direction (geographical north). For this, please choose, in advance, a prominent point of the land scape in northern or southern direction by using a compass, und and rotate the mast or the anemometer until the Orientation arrow indicates to northern direction (geographical north).
2. Lock the ultrasonic anemometer afterwards at the mast by the four M8 hexagon socket screws.

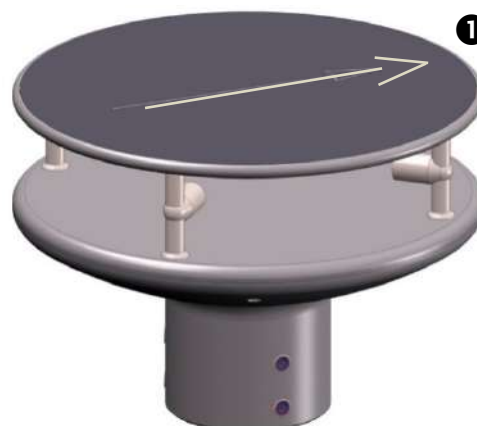
#### Caution:

The allen screws must be tightened to max. **7Nm**

#### Note:

When aligning the instrument to north using a compass, the magnetic variation (= deviation in direction of compass needle from true north) and local interfering magnetic fields (e.g. iron parts, electric cables).

As additional positioning aid, or for a simple change without re-alignment you may use also the **position drilling ②** in the base. Precondition, however, is a preparation by user at the mast.



## Positioning of an Anemometer on a Wind Power Plant

For the exact determination of the wind direction the anemometer must be mounted in alignment with the generator hub.

### Procedure (at generator hub north):

1. „Position“ the ultrasonic anemometer by rotating on the mast tube, until the **orientation arrow** (in parallel to the generator axis) indicates towards the generator-hub.
2. Lock the ultrasonic anemometer afterwards through the four M8 hexagon socket screw at the mast.

### Caution:

The allen screws must be tightened to max. **7Nm**

### Remark:

In order to avoid the discontinuity of the wind direction at the north leap (360 ... 1°) the ultrasonic anemometer should be aligned oppositely to the generator hub by means of the reference arrow.

## Positioning of an Anemometer on a Ship

For the exact determination of the wind direction the anemometer must be mounted in alignment with the roll-axis, where the **bow** is related to „0 °“ (**north**).

### Procedure:

1. „Position“ the ultrasonic anemometer by rotating on the mast tube, until the **orientation arrow** (in parallel to the generator axis) indicates towards the generator-hub.  
Remark:  
If the anemometer is far away from the roll-axis (center line bow-rear), a parallel line (bow-rear) should be assumed.
2. Lock the ultrasonic anemometer afterwards through the four M8 hexagon socket screw at the mast.

### Caution:

The allen screws must be tightened to max. **7Nm**

## 4.4 Electrical Installation for Ultrasonic Anemometer

The ultrasonic anemometer is equipped with a plug for electrical connection. A coupling socket (mating) is included in delivery. It is located in the lower part of the transport packing.

#### 4.4.1 Cables, Cable preparation, Connector Installation

For pin assignment please refer to supplement „factory settings“. Examples see chapter 3.4.2.

The cable must have the following properties:

8 cores; 0.5 ... 0.75mm<sup>2</sup> core cross-section for supply; min. 0.14mm<sup>2</sup> core cross-section for data communications; 7 ... 8mm cable diameter, resistant to ultraviolet rays, overall shielding.

**Caution:**

*The cable to be connected must be at least the operating voltage class 01 correspond HAR (100 V).*

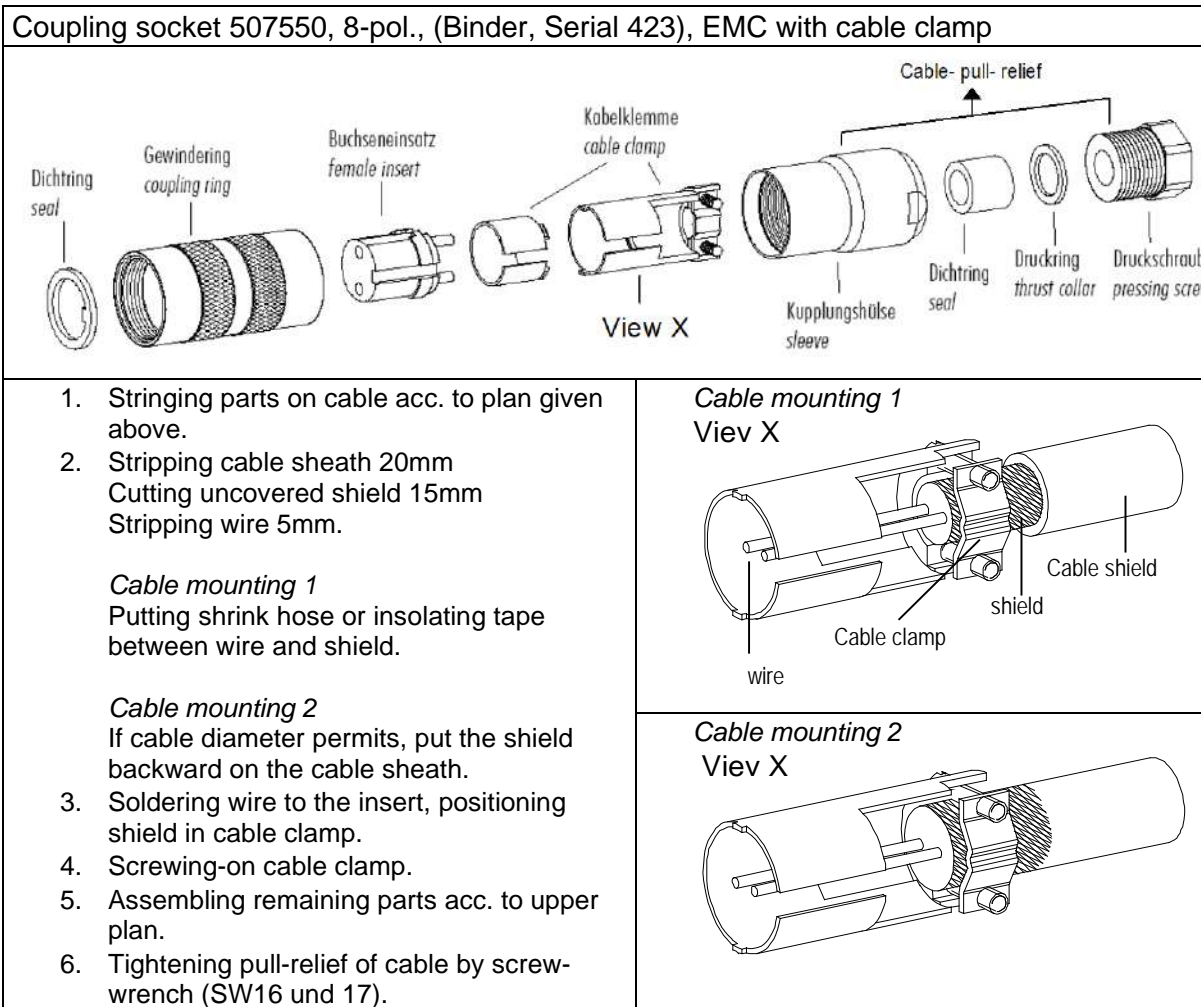
---

**Remark:**

*Optionally, a completely converted connecting cable can be included in delivery for the ultrasonic-anemometer (see accessories).*

---



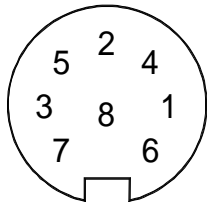


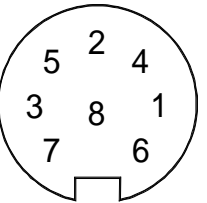
**Figure 1: Connector installation**

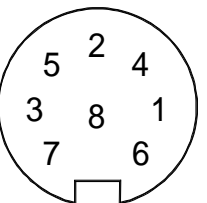
#### 4.4.2 Connector Pin Assignment (Examples of Function)

**Remark:**

- For exact allocation of function please refer to supplement “Factory Settings”
- The pins 1 – 6 (incl.) are galvanically isolated from the supply voltage and from housing.

• Serial Interface, Full-duplex			View of solder terminal of coupling socket
Pin	Allocation	Function	
1	RXD-	Serial interface	
2	TXD-	Serial interface	
3	CONTROL	Function programmable	
4	RXD+	Serial interface	
5	TXD+	Serial interface	
6	AGND	Ground for serial interface	
7	24 V AC/DC nominal	(-) Voltage supply*	
8	24 V AC/DC nominal	(+) Voltage supply*	
⏏	Shield		

• Serial Interface, Half-duplex and analogue outputs			View of solder terminal of coupling socket
Pin	allocation	Function	
1	WG	Analogue output wind speed	
2	TXD- / RXD-	Serial interface	
3	CONTROL	Function programmable	
4	WR	Analogue output wind direction	
5	TXD+ / RXD+	Serial interface	
6	AGND	Ground for analogue output and serial interface	
7	24 V AC/DC nominally	(-) Voltage supply*	
8	24 V AC/DC nominally	(+) Voltage supply*	
⏏	Shield		

• Serial Interface, Half-duplex			View of solder terminal of coupling socket
Pin	allocation	Function	
1	WG	-	
2	TXD- / RXD-	Serial interface	
3	CONTROL	Function programmable	
4	WR	-	
5	TXD+ / RXD+	Serial interface	
6	AGND	Ground for analogue output and serial interface	
7	24 V AC/DC nominally	(-) Voltage supply*	
8	24 V AC/DC nominally	(+) Voltage supply*	
⏏	Shield		

\* reverse-polarity protected

## 5 Maintenance

---

As the instrument does not have moving parts, i.e., is not subject to wear during operation, only minimal servicing is required. The instrument is subject to natural pollution, the level of pollution depends on the location. If necessary, the instrument and the sensor surfaces can be cleaned from soil cleaning can be carried out as required using non-aggressive cleaning agents in water and a soft cloth during routine checks.

**Attention:**

*During storage, installation, de-installation, transport or maintenance of the anemometer it must be ensured that no water gets into the instrument stand and plug of the anemometer.*

**Note:**

*We recommend the threads of the plugs with a suitable corrosion inhibitors to protect against corrosion.*

## 6 Calibration

---

The ultrasonic anemometer does not contain any adjustable components such as electrical or mechanical trimming elements. All components and materials used show invariant behaviour in terms of time. This means, that no regular calibration is required due to ageing. Errors in measured values can only be caused by coarse mechanical deformation of the instrument and associated changes in measurement path lengths.

The acoustic-virtual temperature can be used to check the effective-acoustic measurement path length. A change of approx. 0.3% in the measurement path length and thus a measuring error of approx. 0.3% for the wind velocity corresponds to a deviation in the virtual temperature of 1K at 20°C; there is a measuring error of approx. 1% for the wind velocity with a deviation of acoustic-virtual temperature of approx. 3.4K.

If the measuring sections of the anemometer are changed, you should consult the manufacturer about a new calibration if the difference in the acoustic temperatures of the individual sections is > 2 Kelvin when there is no wind. The acoustic temperature of the individual sections is output with telegram 12.

**Important:**

*Mechanical damages with deformation of the instrument might lead to measuring value errors.*

## 7 Warranty

---

Damage caused by improper handling or external influences, e.g., lightning, do not fall under the warranty provisions. The warranty entitlement expires if the instrument is opened.

**Important:**

*The ultrasonic anemometer must be returned in the original packaging as the warranty entitlement otherwise expires with mechanical damage, e.g. deformation of measuring arms.*

## 8 Functional Description

---

The functioning of the ULTRASONIC instrument is described below. Due to the limited number of plug connections some functions exclude the simultaneous operation with other functions. Such dependency is described in each case. There are also restrictions regarding the functional definition of the cable connector. This is due to the double assignment of individual PINs.

### 8.1 Serial Communication

The ULTRASONIC provides an RS485 / RS422 interface for serial communication. It can be operated either in full or half duplex mode and at different baud rates.

The communication with the ULTRASONIC can be carried out, for example, by means of a standard terminal program, in example, you can use the terminal software Tera Term.

On starting the ULTRASONIC the following parameters are output: firmware version, creation date of firmware, serial number of instrument, system time, instrument ID as well as the duplex-mode of the serial interface and the used command interpreter. The output is carried out with the last set and stored baud rate.

Example:

```

-----
THIES-ULTRASONIC-COMPACT
Bootloader: V1.1
Version: 3.12 / RVxxxxx
Sep 13 2019 / xx:xx:xx
Serial-No.: xxxxxxxxx
System-Time: 12:57:26
System-ID.: 00
Serial-COM: 4-wire RS422
Interpreter: Thies
-----
Help: 00??<CR>
-----

```

The example shows that the ULTRASONIC with the instrument ID 00 is operating in full duplex mode, and that the Thies interpreter is used, see **command Cl**.

### 8.1.1 Duplex Mode

Duplex mode decides the type of physical connection of the serial interface. In full duplex mode the send and receive signals are each transmitted via separate pairs of cables. This means it is possible to send and receive signals at the same time.

In half duplex mode transmission of the send and receive signals is via the same pair of cables in the time division (successively) (: see **Command DM**).

For a bus operation in the half-duplex-mode (RS485), where the ULTRASONIC, in general, is operated as “slave”, it is necessary to switch the line-transmitter into the “high-impedance-state” during the intermission, so that the replies of the other bus parties are not suppressed.

It might be important with point-to-point-connections in the full-duplex-mode (RS422), depending on the disturb-ratio on the communication lines, that the line-transmitter remains active during the intermissions. So, a maximum differential input level leads to a maximum signal/noise ratio.

A half-duplex-mode can be selected via the **Command DM** (duplex mode). With this mode, on principle, the line-transmitter is switched on only when sending. For the full-duplex-operation there are two modes: one for bus operation (RS485), where the line-transmitter is controlled as in half-duplex mode, and another one (RS422), where the line-transmitter remains active even in case of reception. See **Command DM**.

For the ULTRASONIC there are restrictions on the parameter combination or function of the terminals depending on the transmission type selected. Due to the limited number of plug connector contacts multiple assignment of the connections are necessary. The following table shows the functional options for the modes full and half duplex.

Full duplex mode	Half duplex mode
Bus mode possible (RS 485, DM=1) Bus mode not possible (RS 422, DM=2)	Bus mode possible (RS 485, DM=0)
No output of analogue values to PIN RXD- and RXD+	Output of analogue values possible at PIN RXD- and RXD+
Heating control via PIN CONTROL possible	Heating control via PIN CONTROL possible

**Table 1: Restrictions in full and half duplex mode**

### 8.1.2 Response Delay

With the serial communication please take into consideration that the ULTRASONIC responds immediately to arriving telegrams. The response time of the instrument is in the lower range of milliseconds. Possibly, the delay between receiving signal and sending signal might be too short for some interface converters. It is possible that, within this time period, the interface converter has not yet switched over from the mode ‘sending’ to the mode ‘receiving’. This might lead to absurd telegrams.

In order to avoid this effect, the ULTRASONIC has the parameter RD (response delay). With this parameter the response is additionally delayed, on receipt, by the selected value in milliseconds. The setting of the parameter on state of delivery depends on the instrument number.

### 8.1.3 General Telegram structure for the Thies Interpreter.

For serial communication the ULTRASONIC has a fixed telegram format, which also permits communication in bus mode. It has the following form:

NNBB<cr>    <cr> stands for Carriage return (Enter key)

for a data enquiry or

NNBBPPPPP<cr>    <cr> stands for Carriage return (Enter key)

for a parameter change.

The individual letters have the following meaning:

NN:	Two-digit ID of the ULTRASONIC. It can be selected in the range from 00 to 99. The presetting is the ID '00': see also <b>Command ID</b> .
BB:	Two-position command. A complete list can be found in section Command list.
PPPPP:	The parameter input is always left-justified and can range from 0 to 5-digit value.

Examples:

1. Telegram number 2 shall be queried. The respective command is:

00TR2<cr>    <cr> stands for Carriage Return (enter button)

alternatively also:

00TR00002<cr> can be entered.

2. Query of baud rate with the command:

00BR<cr> <cr> stands for Carriage Return (enter button)

the selected data record for the baud rate is returned.

!00BR01152    stands for 115200 baud

Requirement in these examples is, that the ULTRASONIC ID has the value ,00'.

---

**Remark:**

*The receiving buffer of the ULTRASONIC can be cleared by sending a carriage return <CR>. If the ULTRASONIC possibly has invalid characters in the receiving buffer, this buffer can be processed by sending a carriage return. In this case, it is advisable to send a carriage return at the beginning of the telegram, for example: <CR>00TR2<CR>*

---

### 8.1.4 Saving of the ULTRASONIC Parameters

After a change in parameter by the user- or administrator-key, the ULTRASONIC must be reset into the locked status by the command "00KY0" (Key "00000"). (In this case the ULTRASONIC ID has the value "00").

**Only by resetting the key or by storing command (00CS1) the parameters are saved permanently also beyond a restart.**

When restarting the ULTRASONIC without prior saving all changed parameters get lost; therefore, it is recommendable to save all important parameters after termination of entry by resetting the key (00KY0), or the by storing command (00CS1).

### **8.1.5 Return values of ULTRASONIC**

After a valid command has been input, the ULTRASONIC sends acknowledgement, e.g., acceptance of the parameter or output of a data telegram.

For a standard command the response starts with a '!', followed by the ID and the parameter value.

If the input command is TR or TT, the ULTRASONIC transmits a data telegram as the response.

### **8.1.6 Access Mode**

For configuration the ULTRASONIC has a set of commands, which determine behaviour in terms of the propagation time. The commands are broken down into three levels:

- Query Mode
- User mode
- Configuration mode

Enquiry mode ("READ ONLY"):

This mode comprises commands, which do not influence the parameters of the ULTRASONIC. They include for example, output of the system status and interrogation of the data telegram with TR.

User mode ("USER"):

This mode comprises commands, which affect the behaviour of the ULTRASONIC. These parameters can be changed by the user. The system behaviour of the instrument is changed with these commands. This group of commands includes e.g., settings for output scaling and averaging

Configuration mode("ADMIN"):

This mode comprises commands, which are factory-set for the delivery status.

To distinguish between commands of the three groups when parameterising the ULTRASONIC the instrument is equipped with an access key KY. Inputting of the key accesses the individual levels. Access to commands at a higher level includes access to commands at a lower level.

Access key	Response from ULTRASONIC	Command level
00KY00000	READ ONLY !00KY00000	Query mode (preset)
00KY00001	USER ACCESS !00KY00001	User mode
00KY04711	ADMIN ACCESS !00KY04711	Configuration mode

**Table 2: Access key for different command levels**

After the access key has been changed, the ULTRASONIC transmits a response, which contains not only the parameter input but also the access mode.

After parameters have been changed with the key '00001' or '04711', the ULTRASONIC must be reset to the initial position with the command 00KY0, so that the parameter are saved. (See also chapter 8.1.4).

In case of power supply interruption the instrument is reset automatically to the query mode.

Example:

00KY1

switch into "USER ACCESS" mode

!00KY00001

response from ULTRASONIC

Setting rights -> USER

response from ULTRASONIC

00AV5

command for changing averaging time frame

!00AV00005

response from ULTRASONIC

New Averaging time frame: 5

response from ULTRASONIC

00KY0

command for the "READ ONLY" mode

!00KY00000

response from ULTRASONIC

Setting rights -> READ ONLY

response from ULTRASONIC

Configuration saved.

response from ULTRASONIC



## 8.1.7 Baud Rate

The baud rate is used to select the transmission speed via the serial interface. The parameter range is from 1200baud to 115.2kBaud.

The reprogramming of the baud rate by command BR affects at once temporarily the ULTRASONIC. After the dispatch of a command, the user program used must be set to the corresponding baud rate. Only after resetting into the query mode (READ ONLY) the baud rate is saved permanently. Thus, an accidental changing of the baud rate by switching on/off, the ULTRASONIC can be revoked. (See also chapter 8.1.4)

Example:

The baud rate is to be changed to 115200 baud:

Command:

00KY4711

!00KY04711

Setting rights -> ADMIN

00BR1152

!00BR01152

00KY0

!00KY00000

Setting rights -> READ ONLY

Configuration saved.

Command for access allowance

response from ULTRASONIC

response from ULTRASONIC

Command for changing the baud rate

response from ULTRASONIC

Now the interface baud rate must be changed to 115200!

backspace into the "READ ONLY" mode

response from ULTRASONIC

response from ULTRASONIC

response from ULTRASONIC

### 8.1.8 Instrument ID

The instrument ID specifies the address to which the ULTRASONIC is to respond during serial communication. The instrument ID lies in the range from '00' to '99'. The preset ID is '00'. Every telegram from the ULTRASONIC starts with the ID set. Under certain conditions this provides for bus mode: see **Bus mode**.

The instrument ID „99“ is a universal address to which all ULTRASONICs respond. The ID is reprogrammed with the command 'ID'. The new ID of the ULTRASONIC is specified as the parameter. After the change has been made, the ULTRASONIC immediately responds to the new address. (s. a. chapter 8.1.4).

Example:

00KY4711	Command for access allowance
!00KY04711	response from ULTRASONIC
Setting rights -> ADMIN	response from ULTRASONIC

00ID00004	Changing of IC into address 4
!00ID00004	response from ULTRASONIC

The ULTRASONIC responds now to the now ID ,04'. For permanent ID changing see chapter 8.1.4.

04AV	Query of the averaging time by new ID
!04AV00005	Return of averaging time

### 8.1.9 Bus Mode

The concept of ID-based communication allows the ULTRASONICs to be operated in a bus system. The prerequisites for this are:

- different IDs of the individual bus users
- master-slave structure, i.e., there is a device in the bus (control, PC ...) that performs cyclic enquiry of the data of the individual ULTRASONICs and possibly parameterises the ULTRASONICs.

In bus mode there are no restrictions on parameterizability.

A station can also be provided with a new program in bus mode for a specific purpose. With an update a program update must be performed for every ULTRASONIC.

In bus mode it is recommended not using an ULTRASONIC with the ID '00' as this ID is reserved for devices that are integrated in the bus for the first time.

## 8.2 Analogue Outputs

As an additional option the analogue outputs WV/RXD- and WD/RXD+ offer the possibility of outputting the wind velocity and wind direction as analogue values both as a voltage and power value. Moreover, a starting offset of the power- resp. voltage output is selectable. This realizes the interfaces 4 ... 20mA resp. 2 ... 10V. See the table for the possible combinations.

	Parameter SC=0	Parameter SC=1
Parameter AO=0	No output	No output
Parameter AO=1	WG: 0 ... 10V, WR: 0 ... 10V	WG: 2 ... 10V, WR: 2 ... 10V
Parameter AO=2	WG: 0 ... 20mA, WR: 0 ... 20mA	WG: 4 ... 20mA, WR: 4 ... 20mA
Parameter AO=3	WG: 0 ... 20mA, WR: 0 ... 10V	WG: 4 ... 20mA, WR: 2 ... 10V
Parameter AO=4	WG: 0 ... 10V, WR: 0 ... 20mA	WG: 2 ... 10V, WR: 4 ... 20mA

**Table 3: Config. of analogue outputs WV/RXD- and WD/RXD+ with parameters AO a. SC**

### 8.2.1 Scaling of Analogue wind velocity

With the analogue wind velocity the user has the option of specifying the velocity for the terminal value of the measuring range with the command AR. In the preset value the scaling is 0..60m/s: see **Command AR**.

The terminal scaling value is specified in m/s. For example, the command 00AR00030 scales the analogue output range of 0 ... 30m/s wind velocity. With a setting of 2 ... 10V this results in the following:

WV =0m/s -> 2V and  
WV=30m/s -> 10V

### 8.2.2 Correction to North

The command NC is used to adjust the measured angle of the wind direction into positive direction by an angle offset. This entered value is added to the measured angle of the wind direction internally in the instrument. If the resulting value is greater than 360 °, 360 ° is subtracted from the corrected angle value. The setting is then used when the ULTRASONIC with its north sensor could not exactly be aligned to north, and this error angle must be corrected electronically afterwards

Also see here **Command NC**.

The wind direction is reset at a calculated wind velocity of < 0.1m/s .  
The wind direction 0 ° is reserved for the calm.

Unlike the calm, the exact wind direction north, corresponding to 0 °, is output as 360 ° at wind velocities >0,1m/s.

## 8.3 Instantaneous Values and Output of Raw Measured Values

The output of instantaneous values is generally a special case. Due to the high acquisition speed for the measured values averaging of the data is sensible in most cases. If instantaneous values are to be output, averaging must not be switched on. The parameter AV should be set to '0': see **Command AV**.

The OR parameter is used to adjust the output rate with independent output. With a value of '0' a telegram is output whenever the control line is operated. See also command TG.

### 8.3.1 Averaging

Given the high data acquisition rate averaging is to be recommended in most cases. The averaging period is freely selectable from 100ms to 120s within wide limits. See also **'Table 5'** under **'Command AV'**.

It is a basic rule that only valid values are written to the averaging puffer. The size of the buffer is not determined by the number of data records but by the difference in the time stamp between the first and last data record. As a result any missing measured values do not influence the averaging result. The content level of the averaging buffer is shown in the status value of the ULTRASONIC. It is the ratio between the memory actually occupied and the maximum required memory (calculated value). Output is performed in eight or 16 steps: see Status information.

The Ultrasonic 2D compact incorporates two different practical procedures for averaging:

- one **procedure for generating vectorial mean values** and
- one **procedure for generating scalar mean values**

These different procedures can be selected for averaging wind velocity as well as wind direction depending on the actual application.

Vectorial averaging involves the wind direction for averaging of the wind velocity, and wind velocity for averaging of the wind direction.

Both averaged variables, wind velocity and wind direction, thus each undergo evaluation with the other measured variable.

This averaging procedure is very suitable e.g. for measuring and evaluating the propagation of pollutants.

Scalar averaging averages both variables, wind velocity and wind direction, independently of each other.

This averaging procedure leads to comparable results with mechanical wind velocity and wind

direction pickups.

The scalar averaging procedure is suitable e.g. for location analysis for wind turbines where only the wind vector variable relevant for the generation of energy is of interest and not its direction.

The vectorial and scalar procedure can be used within one output telegram independently of the wind velocity and wind direction.

For this purpose one of the four possible combinations is selected using the Command **AM** as for **Average Method**.

### **Command for selection of averaging procedure:**

AM00000 Vectorial averaging of velocity and direction

AM00001 Scalar averaging of velocity and direction

AM00002 Scalar averaging of velocity and vectorial averaging of direction

AM00003 Vectorial averaging of velocity and scalar averaging of direction

## **8.4 Serial Data Output**

The transmission of data via the RS485 interface is known as serial data output. Two modes are available for data transmission:

- Independent transmission of data
- Transmission of data via interrogation telegram

Independent transmission of the data is selected using the command 00TT000XX, with XX standing for the relevant telegram number. In this case the ULTRASONIC transmits its data cyclically in the repeat rate selected with the parameter OR.

### **8.4.1 Data Query**

The command TR is used for data enquiry via the ULTRASONIC. The command has no access protection. After processing the command, the instrument sends back the appropriate response telegram. The time between the last character in the request telegram and the first character in the data telegram is < 0.5ms **see a. Command RD**

The telegrams, as described under '**Fixed telegram formats**', are available as data telegrams.

### **8.4.2 Independent Telegram Output**

Independent telegram output is selected using the command TT. After a valid telegram type has been input, the ULTRASONIC independently transmits the data telegram selected. The transmission interval is set in ms using the command OR. The telegram is transmitted every 100ms as standard. If the baud rate selected does not allow the output cycle to be observed (the time for data transmission is greater than the interval time), it is possible that telegram output cannot be carried out.

---

*Note:*

*In the half duplex mode (see command DM) the independent telegram output starts only 10s after the last command, or 20 s after the re-start. Thus, the ULTRASONIC can be re-programmed or resp., the new configuration can be saved.*

---

### **8.4.3 Fixed Telegram Formats**

A number of predefined telegrams are available to for the independent output of telegrams (**Command TT**) and data request (**Command TR**). The detailed structure is described in 'Appendix 1 Predefined data telegrams'. A reference list of telegram formats can be found in **Table 4**.

Telegram name	Telegram number	Telegram structure
VD	00001	(STX)VV.V DDD*CC(CR)(ETX)
VDT	00002	(STX)VV.V DDD TTT.T SS*CC(CR)(ETX)
VD2	00003	(STX)VVV.VV DDD.D*CC(CR)(ETX)
NMEA V 2.0	00004	\$WIMWV,DDD.D,R,VVV.V,X,A*CC(CR)(LF)
Vx, Vy, VT	00007	(STX)+Vx.x;+ Vy.y;+TT.T;SS;CC(CR)(ETX)
VDM	00008	(STX)ID VVV.VV DDD.D SS MM*CC(CR)(ETX)
VDPM	00009	(STX)ID VVV.VV DDD.D PPPP.P SS MM*CC(CR)(ETX)
PBT	00011	PBT<WV><WD><VT><AP><SS><C>
Scientific telegram	00012	See appendix (chapter 10)

**Table 4: List of predefined data telegrams**

Declaration:

- V: wind velocity (see **Command OS**)
- Vx.x: Wind speed X-component (see Command OS)
- Vy.y: Wind speed Y-component (see Command OS)
- D: wind direction
- P: air pressure (optional)
- M: Voltage Supply Monitoring
- T: temperature
- S: status byte
- C: Check sum (EXOR link)
- X: identifier for scaling of wind velocity (K, N, M, S = km/h, Knots, m/s, mph)
- PBT: Identifier for profi bus telegram followed by 16bit measurement values in binary marked by <>.
  - <WV><WD><AP><SS>: (U16) WD: wind speed, WD: wind direction, AP: abs. air pressure, SS: status.
  - <VT><C>: (S16) VT: virtual temperature, (I16) C: byte check sum (XOR of character 1 ... 13).

### 8.4.4 Generation of Check Sum

The check sum is the result of the byte wise EXOR link of the bytes output in the telegram.

The EXOR link encompasses all bytes between the telegram start character "STX", or "\$" with the NMEA telegram and the byte "\*" as the identifying character for the start of the check sum.

The bytes "STX" or "\$" and "\*" are thus not taken into account for calculation of the check sum!

In telegram 7, the last byte ";" precedes the checksum and is also taken into account in the checksum calculation!

### 8.4.5 Status Information

In the ULTRASONIC two different status bytes are available:

- extended status information (scientific telegram only, see also "TT12")
- THIES status

The THIES status is derived from the extended status information. The structure of the status values is described below.

#### 8.4.5.1 Extended Status Information

The extended status is structured bit wise. The individual bits in the status value have the following meanings:

Bit number	Function	Description	
Bit 0	General malfunction	Averaging time < 30s preset see "ET" Command Error Timeout	An error is output when no new measured value can be determined during a period of 30s.
		Averaging time >= 30s preset see "ET" Command Error Timeout	An error is output when the averaging buffer includes no valid value.
Bit 1	Heating enabled	Is one when heating control is activated.	
Bit 2	Heating status	Is one when bottom heating is consuming power.	
Bit 3	Reserved	Is always zero.	
Bit 4	Static malfunction	Is set when a static malfunction has occurred, e.g., lasting violation of VT, no measured values. (> 1min)	
Bit 5 .. bit 7	Reserved	Is always zero.	
Bit 8	Used averaging memory	Specifies the averaging memory occupied. Bit 0 to bit 3 indicate the filling level of the averaging buffer in binary format. 0: Buffer $0 < x \leq 1/16$	
Bit 9			
Bit 10			

Bit 11		1: Buffer $1/8 < x \leq 1/8$ filled 2: Buffer $1/8 < x \leq 3/16$ filled 3: Buffer $3/16 < x \leq 1/4$ filled 4: Buffer $1/4 < x \leq 5/16$ filled 5: Buffer $5/16 < x \leq 3/8$ filled 6: Buffer $3/8 < x \leq 7/16$ filled 7: Buffer $7/16 < x \leq 1/2$ filled 8: Buffer $1/2 < x \leq 9/16$ filled 9: Buffer $9/16 < x \leq 5/8$ filled 10: Buffer $5/8 < x \leq 11/16$ filled 11: Buffer $11/16 < x \leq 3/4$ filled 12: Buffer $3/4 < x \leq 13/16$ filled 13: Buffer $13/16 < x \leq 7/8$ filled 14: Buffer $7/8 < x \leq 15/16$ filled 15: Buffer $15/16 < x \leq 1$ filled
Bit 12	Reserved	
Bit 13	Flag restart	Is reset to zero in the first output-telegram after restart.
Bit 14..bit15	Reserved	Is always zero
Bit 16..bit31	Reserved	Is always zero.

### 8.4.5.2 THIES Status

The THIES status is structured bit wise. The individual bits in the status value have the following meanings:

Bit number	Function	Description
Bit 0	General malfunction	Averaging time $< 30s$ preset see "ET" Command Error Timeout An error is output when no new measured value can be determined during a period of 30s.
		Averaging time $\geq 30s$ preset see "ET" Command Error Timeout An error is output when the averaging buffer includes no valid value.
Bit 1	Used averaging memory	Specifies the averaging memory occupied. Bit 1 to bit 3 indicate the filling level of the averaging buffer in binary format. 0: Buffer $0 < x \leq 1/8$ 1: Buffer $1/8 < x \leq 1/4$ filled 2: Buffer $1/4 < x \leq 3/8$ filled 3: Buffer $3/8 < x \leq 1/2$ filled 4: Buffer $1/2 < x \leq 5/8$ filled 5: Buffer $5/8 < x \leq 3/4$ filled 6: Buffer $3/4 < x \leq 7/8$ filled 7: Buffer $7/8 < x \leq 1$ filled
Bit 2		
Bit 3		
Bit 4	Plausibility on	Is set when the plausibility is on.
Bit 5	Static malfunction	Is set when a static malfunction has occurred, e.g., lasting violation of VT, no measured values. ( $> 1min$ )
Bit 6	Heating enabled	Is one when heating control is activated.
Bit 7	Heating status	Is one when bottom heating is consuming power.



### 8.4.5.3 VDM/VDPM Telegram Status Byte

This status is structured bit wise. The individual bits in the status value have the following meanings:

Bit number	Function	Description	
Bit 0	General malfunction	Averaging time < 30s preset see "ET" Command Error Timeout	An error is output when no new measured value can be determined during a period of 30s.
		Averaging time >= 30s preset see "ET" Command Error Timeout	An error is output when the averaging buffer includes no valid value
Bit 1	Valid Data Check	Is set when the plausibility check is set to "On".	
Bit 2	Heater Circuit Enabled	Is set when the Heating Circuit is Enabled.	
Bit 3	Heating Status	Is set when bottom heating is dissipating power.	
Bit 4	Heater Over Current Warning	Is set when the heater current exceeds the max. range.	
Bit 5	Heater Thermistor Open Circuit Failure	Is set when the heater circuit value isn't inside of -50 ... +80°C because of open circuit.	
Bit 6	Unit Internal Temperature High Warning	Is set when the temperature of the unit exceeds +60°C.	

### 8.4.5.4 Voltage Supply Monitoring Byte

The Sonic Voltage is calculated in the following way:

Byte Range(Hex): 00...ff

$V_{supply} = \text{Value} * 0.25V$

Example: Voltage Byte = 64(hex)  $V_{supply} = 100 * 0.25V = 25.0V$

**Note: At AC supply the peak value will be shown, not RMS.**

## 8.5 Behaviour of Instrument under extreme Conditions of Measurement Value Acquisition

The ULTRASONIC is equipped with a highly effective internal fault detection and correction system. This allows it to detect incorrect measured values using the history and to correct them where possible. It cannot however be ruled out that the ULTRASONIC will get into a situation in which the acquisition of new data is impossible. In this case the error bits are set in the status values and a defined value possibly output at the analogue outputs.

It is a basic rule that the measured values output are always valid and can be interpreted by the target system (unless a specific error telegram is output in the in the case of error). In the case of error might happen that the data become 'too old', i.e., they are not updated over a certain time and freeze. In this case the error bits are set in the status byte and the analogue outputs are set to a defined value. If a special error telegram is defined with a serial telegram, this is output.

## 8.6 Behaviour in Case of Error

An error case occurs in the following circumstances:

Averaging time(AV) < 30s, see "ET" Command Error Timeout	An error is output in case that for a time period of > 30s (s. "ET") no new measuring value has been detected.
Averaging time >= 30s pre-set error Timeout, see command ET	An error is output in case that the averaging buffer does include no more valid values.

### 8.6.1 Behaviour of Analogue Outputs

If the analogue outputs are active, they are switched to the minimum or maximum value in the case of error. The parameter EI determines which of the two values is output: see **Command EI**.

### 8.6.2 Behaviour of Telegram Output

In the case of error the relevant error telegram is output. In parallel the error information is shown in the status byte: see **Fixed telegram formats**.

## 8.7 Output of all System Parameters

Most parameters of the ULTRASONIC are stored internally in an EEPROM. The command SS can be used to output all stored parameters.

Before amending parameters it is recommended making a backup copy of existing settings and storing them in a text file: see also **Command SS**.

## 8.8 Enquiry about Software Version

The command SV is used to enquire about the software version. For further information see **Command SV**.

## 8.9 Forcing a Restart

The command RS can be used to force a restart of the ULTRASONIC. The commands

```
00RS00001 <cr>    quick restart (warm start)
00RS00002 <cr>    restart by intentional releasing of the "WatchDog" after approx. 12s
```

can be carried out only with ADMIN-rights, on this see KY-command

## 8.10 Energy-saving Mode

Thanks to the sleep mode the ULTRASONIC can be operated in an energy-saving mode, see **Command SM**. In the sleep mode the heating is automatically turned off.

Alternatively the power supply of the ULTRASONIC can be completely switched off, and can be turned on again for the duration of the measurement acquisition (incl. telegram output) for approx. 100 ms (typically). In this case it is useful to activate the function "silent boot".

Silent boot: Due to parameter 00HH00002 no restart report is output on activating the power supply of the ULTRASONIC, see **Command HH**.

For this application the heating of the ULTRASONIC should be completely turned off by command 00HT00000, see **Command HT**.

## 8.11 Plausibility

To identify incorrectly measured values the ULTRASONIC offers an internal plausibility check, which assesses measured values using the history. Incorrect measured values can be caused for example by heavy rainfall or foreign bodies in the measurement path. If an incorrect measured value is identified, the ULTRASONIC sets its acquisition of measured values to the maximum speed. In this mode it is more likely to obtain a valid measured value in fault conditions (e.g. horizontal rain). A complete data record is now made every 12ms using all 4 sensors so that the ULTRASONIC generates approx. 80 measured values per second.

## 8.12 Online Help

For a short description of commands the ULTRASONIC contains an Online help, which provides information about individual commands. The Help text for the command is returned by inputting the command and a '?'.

The help text for all commands is output when:

**00?? <cr>** or **00HH??<cr>** is entered. <cr> stands for Carriage Return (enter button)

Example:

The help text for the response delay shall be requested, see **command RD**.

By the command: **00RD?<cr>** the ULTRASONIC outputs the following reply:

!00RD00005

Response Delay

SONIC delays response onto request in multiples of ms

Range: 0 ... 1000

Default: 5

Only admin authorised!

## 9 Configuration of Ultrasonic Anemometer by Customer

---

The Ultrasonic Anemometer 2 D compact is factory-set prior to delivery to the customer.

- Setting is described in the supplementary sheet "*Factory Setting*".

It is possible for the customer to alter the factory setting of the Ultrasonic Anemometer 2D or to adapt it to new requirements. Here it should be borne in mind that with a change in settings, the order number allocated at the factory can then no longer help with identification.

The Anemometer 2D can be configured via its serial data interface using commands.

see section:

- *Access mode*
- *Command list*

Any standard terminal program such as "Telix" or a Windows terminal program (e.g. Hyper Terminal, or "Tera Term") can be used for this purpose.

Recommendation:

After performing configuration please amend the supplementary sheet "Factory Setting" and also send in to the manufacturer in the event of maintenance or repair.

## 10 Thies Command Interpreter

### 10.1 List of Commands Thies Interpreter

	Command	Description
<b>Command AD</b>	<id>AD<para5>	Setting the delay time of individual measurement (Acquisition Delay)
<b>Command AM</b>	<id>AM<para5>	Setting of average mode.
<b>Command AO</b>	<id>AO<para5>	Analogue output mode
<b>Command AR</b>	<id>AR<para5>	Scaling of analogue wind velocity output (Analogue Range)
<b>Command AS</b>	<id>AS<para5>	Setting of the analogue outputs to specified values (Analogue Static)
<b>Command AV</b>	<id>AV<para5>	Average time frame
<b>Command BR</b>	<id>BR<para5>	Selecting the interface baud rate
<b>Command BP</b>	<id>BP<para5>	Selecting interface parity (Baud Parity)
<b>Command BT</b>	<id>BT<para5>	Switching on the RS485 bus termination
<b>Command CI</b>	<id>CI<para5>	Selecting the command interpreter (Command Interpreter)
<b>Command CS</b>	<id>CS<para5>	Configuration Saving
<b>Command DM</b>	<id>DM<para5>	Duplex mode
<b>Command DT</b>	<id>DT<para5>	Date- and time stamp
<b>Command EI</b>	<id>EI<para5>	Analogue value in case of error (Error inversion)
<b>Command ET</b>	<id>ET<para5>	Time until a measured value error sets the generic error bit (Error Timeout)
<b>Command ET</b>	<id>ET<para5>	Time until a measuring value error sets the generic error bit (Error Timeout)
<b>Command HC</b>	<id>HC<para5>	Heating Condition
<b>Command HH</b>	<id>HH<para5>	Output of help (Help, identical with: <id>??<para5> )
<b>Command HP</b>	<id>HP<para5>	Heating power
<b>Command HT</b>	<id>HT<para5>	Heating control
<b>Command ID</b>	<id>ID<para5>	ULTRASONIC ID
<b>Command II</b>	<id>ID<para5>	II (Identifier Index) Output of the ULTRASONIC ID at the beginning of the message
<b>Command KY</b>	<id>KY<para5>	Access mode (Key)
<b>Command MD</b>	<id>MD<para5>	Measurement interval (Measurement Delay)
<b>Command NC</b>	<id>NC<para5>	North correction
<b>Command OF</b>	<id>OF<para5>	Switching the output format of the telegrams (Output Formatter)
<b>Command OP</b>	<id>OP<para5>	To expand the output telegrams with optional parameters.
<b>Command OR</b>	<id>OR<para5>	Telegram Output rate
<b>Command OS</b>	<id>OS<para5>	Scaling of the wind velocity output (Output Scale )
<b>Command PC</b>	<id>PC<para5>	Plausibility check
<b>Command PU</b>	<id>PU<para5>	Connectable power source to control- line (Pull Up, max. 5V @ 5mA)
<b>Command RD</b>	<id>RD<para5>	Response delay
<b>Command RS</b>	<id>RS<para5>	Warm start ULTRASONIC (Reset)
<b>Command RT</b>	<id>RT<para7>	Setting of Real Time Clock (Real Time clock)
<b>Command SC</b>	<id>CO<para5>	Setting start offset of the analogue outputs (1V / 4mA)
<b>Command SH</b>	<id>SH<para5>	Station height for reducing the air pressure on sea level (Station height)
<b>Command SM</b>	<id>SM<para5>	Energy saving mode (Sleep Mode)
<b>Command SN</b>	<id>SN<para8>	Outputs the Serial number

<b>Command SS</b>	<id>SS<para5>	System status
<b>Command SU</b>	<id>SU<para5>	Preparing a “software upload“ (firmware update)
<b>Command SV</b>	<id>SV<para5>	Software version
<b>Command TA</b>	<id>TA	Thies order number for ex. <b>4.387x.xx.xxx</b>
<b>Command TG</b>	<id>TG<para5>	Trigger characteristic (Trigger)
<b>Command TI</b>	<id>TI<para5>	Brief information to the telegram (Telegram Info)
<b>Command TR</b>	<id>TR<para5>	Telegram query (Transmit request)
<b>Command TT</b>	<id>TT<para5>	Independent telegram output (Telegram Transmission)
<b>Command WD</b>	<id>WD<para6>	Wind warning start and stop Delays
<b>Command WW</b>	<id>WW<para6>	Wind Warning thresholds

## 10.2 Command and Description

### **Command AD**

<id>AD<para5>      Setting the delay time of individual measurement (Acquisition Delay)  
 Access:              Configuration mode (ADMIN)

Description:        This command is used to set the time interval between the individual runtime measurements (time of flight, TOF repetition rate).  
 The wind and acoustic temperature measurement are calculated from a sequence of 4 TOF measurements. This sequence is started again and again periodically at a time interval determined by MD (Measurement Delay).

Value range:        2 ... 25 [ms]  
 Initial value:        5

### **Command AM**

T <id>AM<para5>    Setting of average mode.  
 Access:              Configuration mode (ADMIN)

Description:        This command can be used to select the type of averaging method. Averaging can be either vectorial or scalar: see also chapter **8.3.1**.

Parameter description:

- 0:    vectorially averaged velocity and vectorially averaged angle
- 1:    scalarly averaged velocity and scalarly averaged angle
- 2:    scalarly averaged velocity and vectorially averaged angle
- 3:    vectorially averaged velocity and scalarly averaged angle

Range of values    0 ... 3  
 Initial value:        0

## Command AO

<id>AO<para5> Analogue output mode  
 Access Configuration mode (ADMIN)  
 Description: Setting of mode for the output of the analogue wind direction (WD) and wind velocity (WV). With this command one can switch-over from current output to voltage output. It is either 0 ... 20mA (0 ... 10V) or 4 ... 20mA (2 ... 10V), see **Command SC**.  
 The parameter can only be change when operating mode half-duplex is selected see **Command DM**.

Parameter description:

- 0: off, analogue outputs are not used. The internal calculation and the output of the analogue values are completely switched off.
- 1: Voltage output for WV and WD
- 2: Current output for WV and WD
- 3: Current output for WV and voltage output for WD
- 4: Voltage output for WV and current output for WD
- 11: as parameter "1", however with WD-range 0 ... 540 ° special treatment
- 12: as parameter "2", however with WD-range 0 ... 540 ° special treatment
- 13: as parameter "3", however with WD-range 0 ... 540 ° special treatment
- 14: as parameter "4", however with WD-range 0 ... 540 ° special treatment

Value range: 0 ... 4, 11 ... 14  
 Initial value: 0

## Command AR

<id>AR<para5> Scaling of analogue wind velocity output (Analogue Range)  
 Access: Configuration mode (ADMIN)  
 Description: Determines the end of measuring range for the output of the analogue wind velocity.  
 The standard ULTRASONIC scales the wind velocity as follows:  
 0 ... 10V (2 ... 10V) correspond to 0 ... 60m/s  
 It might also be reasonable to scale the wind velocity from 0 ... 30m/s:  
 0 ... 10V (2 ... 10V) correspond to 0 ... 30m/s  
 This parameter determines the end of measuring range. The output is carried out in m/s.

Parameter description:

If the command AR00045 is input for example, 10V or 20mA corresponds to a wind velocity of 45m/s.

Range of values 1 ... 80  
 Initial value: 00060

## Command AS

<id>AS<para5> Testing the analogue outputs (Analogue Static output)  
 Access: Configuration mode (ADMIN)  
 Description: By means of this command the analogue outputs for wind velocity and wind direction can be set temporarily to a fixed value .

### Parameter description

00AS00225 Sets the analogue outputs to 22.5% of 10V = 2.25V  
 00AS10500 Sets the analogue outputs WV to 50% of 10V = 5V  
 00AS00000 Sets the analogue outputs to 0% of 10V = 0V  
 00AS Resets the analogue outputs to normal operation.

**The test requires, that the ULTRASONIC is operated in half duplex, see Command DM**

Value range: 0..21000  
 Initial value: 0

## Command AV

<id>AV<para5> Average time frame (Average)  
 Access: User mode  
 Description: This command can be used to specify the period over which the ULTRASONIC averages its measured values. Given the high measuring speed of up to 100Hz for the generation of a complete measured value set, the use of averaging is sensible in most cases.

### Parameter description:

Parameter for AV	Selected averaging time
0	No averaging
1 ... 1200	Averaging over 0,1 ... 120.0s

**Table 5: Adjustment of averaging periods with parameter AV**

The averaging memory is designed as a sliding memory.  
 On start-up the data of the averaging memory are instantly valid. Averaging is performed immediately using the measured values available.

Value range: 0 ... 1200  
 Initial value: 10

## Command BP

<id>BP<para5> Defines the parity of the interface baud rate (Baud rate Parity)  
 Access: Configuration mode (ADMIN)  
 Description: Parameter 7: parity 7E1  
 Parameter 8: parity 8N1  
 Parameter 9: parity 8E1  
 Parameter 10: parity 8N2  
 Remark: parameter 7 (parity 7E1) is accessible only for the Thies mode.

Value range: 7 ... 8  
 Initial value: 8



## Command BR

<id>BR<para5> Selecting baud rate  
 Access: Configuration mode (ADMIN)  
 Description: The ULTRASONIC communication can be used with different baud rates. The following baud rates are defined for BR:

Parameter description:

12:	1200 Baud
24:	2400 Baud
48:	4800 Baud
96:	9600 Baud
192:	19200 Baud
384:	38400 Baud
576:	57600 Baud
1152:	115200 Baud
2304:	230400 Baud
4608:	460800 Baud
9216:	921600 Baud

**Table 6: List of baud rates with telegram BR**

After the baud rate has been changed, the ULTRASONIC returns the value of the newly set baud rate in the previous baud rate, so that the command receipt remains visible.

When interrogating the baud rate using the command BR, the ULTRASONIC gives back the last programmed baud rate and the selected parity.  
 See also command BP.

Example: 00BR  
 !00BR00096  
 Actual Baud Rate-> 9600 8N1  
 Initial value: 96

## Command BT

<id>BT<para5> Bus termination  
 Access: Configuration mode (ADMIN)  
 Description: Command for connecting a terminating resistor of approx. 120ohm on the RS485 lines.

Parameter description:

0: bus termination off.  
 1: bus termination on.

Initial value: depending on instrument

## Command CI

<id>CI<para5> Selection of the Command Interpreters  
 Access: Configuration mode (ADMIN)  
 Description: The required command interpreter is set by this command

Parameter description:

Parameter	Description
0	THIES
1	MODB51US RTU

Value range: 0 ... 1  
 Initial value: 0

## Command CS

<id>CS<para5> Configuration saving  
 Access: Configuration mode (ADMIN)  
 Description: Command for saving the configuration without leaving the configuration mode.  
 Parameter: 1: configuration saving

## Command DM

<id>DM<para5> Duplex mode  
 Access: Configuration mode  
 Description: Duplex mode decides the type of physical connection of the serial interface. In full duplex mode the send and receive signals are each transmitted via separate pairs of cables. This means it is possible to send and receive signals as required.  
 In half duplex mode transmission of the send or receive signals is via the same pair of cables: On switching over into the half duplex mode the Response Delay (see command RD) is raised from 5ms to 20ms, in order to guarantee a function with slower interface transducers. The Response Delay can be reset to smaller values, if necessary.  
 Depending on the setting there are restrictions on the function of the connector PINs of the ULTRASONIC, see **Command AO**.  
 It is only possible to switch from half duplex to full duplex mode with the following prerequisites:

- The PINs WG/RXD- and WR/RXD+ must not be selected as analogue outputs see **Command AO**.

Parameter description:

- 0: Half duplex mode (RS485, transmission drivers are switched off if no data sent.
- 1: Full duplex mode (RS485 transmission drivers are switched off if no data sent)
- 2: Full duplex mode (RS422 transmission drivers are not switched off during intermissions)

Range of values: 0 ... 2  
 Initial value: 2

## Command DT

<id>DT<para5> Date- and Time Stamp  
Access: Configuration mode (ADMIN)  
Description: Completes the output telegrams by date- and/or time information from the internal real time clock (see command RT). This information is mentioned always at the end of the telegram, however, still before check sum.

Parameter description:

- 0: no date- and time stamp
- 1: with date- and time stamp
- 2: with time stamp
- 3: with date stamp

Value range: 0 ... 3  
Initial value: 0

## Command EI

<id>EI<para5> Analogue value in case of error (Error Inversion)  
Access: Configuration mode (ADMIN)  
Description: Specifies whether 0 or maximum value is output at the analogue outputs in the case of error. If the ULTRASONIC establishes a static error during a measurement, it will output an error under certain conditions. This output is designed to prevent the user from interpreting incorrect measured values. If the analogue signals of the wind direction and wind velocity are used for analysis, the ULTRASONIC connects the outputs in case of error to the maximum resp. minimum output value This parameter is used to specify whether the minimum or maximum value is output in the case of error.

Parameter description:

- 0: Analogue outputs are set to maximum in the case of error
- 1: Analogue outputs are set to 0 in the case of error
- 2: In case of error the analogue output of the wind speed is set to 0  
In case of error the analogue output of the wind direction is set to 0
- 3: Analogue output of the wind velocity is set to maximum in case of error.  
Analogue output of the wind direction is set to zero in case of error

Value range: 0 ... 3  
Initial value: 0

## Command ET

<id>ET<para5> Time in s, until the generic error bit is set (Error Timeout).  
Access: Configuration mode (ADMIN)  
Description: Determines after which time the generic error bit is set.  
The static error bit is set always when the generic error exists more than 60s.  
*Special case: with output rates (OR) < 100 ms the error time basis reduces by the ratio OR/100.*

Value range: 10 ... 60  
Initial value: 30

## Command HC

<id>HC<para5> Heating Condition  
 Access: Configuration mode (ADMIN)  
 Description: The heating switch-off voltage is determined by command HC. With undershooting of this voltage, the heating is no more activated. Example: By „HC10 the heating is deactivated below 10V supply voltage. Only when 12V (10V + 2V hysteresis) is exceeded, the heating can be re-started by the heating control.  
 Value range: 5 ... 48  
 Initial value: 10

## Command HH

<id>HH<para5> Help  
 Access: Configuration mode (ADMIN)  
 Description: With the command HH detailed help can be switched off. (Verbose mode).

Parameter description:

- 0: Detailed message in command mode on (Verbose Mode on). Fastboot off. After a restart the THIES-Bootloader starts first, the main program afterwards.
- 1: messages off, only command echo with ,!' for ex.. !00TT00001 (Verbose Mode off).
- 2: No restart messages are output (Silent Boot Mode).
- 3: All detailed messages and restart messages off
- a: outputs the pin assignment
- ??: Help text of all commands is output

Value range: 0 ... 2, a, ??  
 Initial value: 0

## Command HP

<id>HP<para5> Heating Power  
 Access: Configuration mode (ADMIN)  
 Description: With this command the maximum heating power can be pre-set. This command is only effective when the heating control is on (see command HT).

### Parameter description:

- 0: Full heating power of all system heating, nominally 240W.
- 1: Alternating heating:  
cover plate + sensor receiving socket alternating to base plate, nominally 120W.
- 2: Reduced heating power:  
cover plate + sensor receiving socket full, base plate reduced from 120W to 80W,  
total heating power nominally 200W.
- 3: Reduced heating power:  
cover plate and sensor receiving socket full, base plate reduced from 120W to 40W,  
total heating power nominally 160W.
- 4: Ultrasonic transducer heating only (for testing only).
- 10: Like parameter „0“, however, heating of US-transducer only in case of disturbed measuring value acquisition, or at an acoustic air temperature < -40°C.
- 11: Like parameter „1“, however, heating of US-transducer only in case of disturbed measuring value acquisition, or at an acoustic air temperature < -40°C.
- 12: Like parameter „2“, however, heating of US-transducer only in case of disturbed measuring value acquisition, or at an acoustic air temperature < -40°C.
- 13: Like parameter „3“, however, heating of US-transducer only in case of disturbed measuring value acquisition, or at an acoustic air temperature < -40°C.

Value range: 0 ... 4, 10 ... 13  
 Initial value: 10

## Command HT

<<id>HT<para5> Heating control (Heating)  
 Access: Configuration mode (ADMIN)  
 Description: To prevent freezing-up the ULTRASONIC is equipped with an effective heating system which keeps the temperature of the ULTRASONIC and its sensors above 0 °C. In standard operation the heating is controlled and switched on/off by the housing temperature. Via command HT the function of the heating can be determined.

### Parameter description:

- 0: Heating always off
- 1: Heating controlled automatically.  
The heating activates automatically with falling temperature at +10°C, and keeps the housing at this temperature.
- 2: Switch-on temperature is adjusted to +45°C; thus, heating turns on already with room temperature (for test purposes only).
- 3: Heating control deactivates when sensor control-line is on level „high“ (see also **Command PU** „Pull-UP“).
- 4: Heating control deactivates when sensor control-line is on level „low“. (see also **Command PU** „Pull-UP“).
- 5: Heating controlled automatically.  
Heating power 120W when sensor control-line is level “low”.  
Heating power 240W when sensor control-line is level “high”
- 6: Switch-on temperature raised permanently to +45°C
- 7: Switch-on temperature raised to +45°C, is deactivated by control line to “high” level.
- 8: Switch-on temperature raised to +45°C, is deactivated by control line to “low” level

Value range: 0 ... 8  
 Initial value: 1

## Command ID

<id>ID<para5> ULTRASONIC ID  
 Access: Configuration mode (ADMIN)  
 Description: This command is used to specify the ID of the ULTRASONIC. The ID is necessary in every command for addressing of the ULTRASONIC. After changing of the ID the ULTRASONIC responds promptly to the new identification. The ID 99 is a extended ID. The ULTRASONIC always responds to commands with the ID 99 (with the correct baud rate). The ID 99 must not be used, under no circumstances, in bus mode.

### Example:

00KY4711	Open with user key
00ID00023	Change ID from 0 to 23
!00ID00023	ULTRASONIC acknowledges change
23DM	Interrogation of duplex mode with new ID
!23DM00000	Response from ULTRASONIC
23ID00000	Change ID from 23 to 0
!23ID00000	ULTRASONIC acknowledges change

Range of values 0 ... 99  
 Initial value: 0

## Command II

<id>II<para5> ULTRASONIC instrument identification in the telegram output (Identifier Index)  
 Access: Configuration mode (ADMIN)  
 Description: By this command the output of the 2-digit identification number of the ULTRASONIC is activated; see also command ID at the start of the set telegram, after the STX if available. This function does apply for the telegrams 1,2,3,7,12.  
 The telegram extends with II=1 by 3 Bytes.

### Parameter description:

- 0: no additional ID at the telegram start.
- 1: ID of the instrument is output at the telegram start.
- 2: The serial number is output at the end of the telegram.
- 3: ID is output at the beginning and the serial number at the end of a standard telegram.

Initial value: 0

## Command KY

<id>KY<para5> Access mode (Key)  
 Access: Enquiry mode  
 Description: To change the parameters of the ULTRASONIC access authorisations are necessary for most commands. This prevents any accidental change in parameters. Access takes place on three levels:
 

- Query mode "0"
- User mode "1"
- Configuration mode "4711"

### Parameter description:

- 0: Query mode  
 Parameters, which have no access restrictions, are those not stored in the EEPROM, e.g. cyclic telegram enquiry or output of system status.
- 1: User mode (USER ACCESS)  
 The user key protects parameters, which influence the behaviour of the ULTRASONIC, e.g. averaging period and baud rate. The user can change these parameters but he must realise that a change of the parameter will alter the behaviour of the ULTRASONIC. Before every change it is recommended using the command SS to output and save the current configuration.
- 4711: Configuration mode (ADMIN ACCESS)  
 Parameters protected with this key, are reserved to the administrator. They are pre-set with the factory-adjustment of instrument.

In case of backspacing from higher to lower access mode by command, the changed parameters are permanently saved. After a restart the system is always switched to the enquiry mode.

Value range 0,1,4711  
 Initial value 0

## Command MD

<id>MD</id>	Measuring interval (Measurement Delay)
Access:	Configuration mode (ADMIN)
Description:	Indicates the time in 10 ms steps from the beginning of one measuring cycle (4 TOF) to the beginning of the next and thus determines the repetition rate of the wind and acoustic temperature measurement. The MD parameter must always be set longer than the measuring time specified by the AD parameter from the sum of 4 TOF individual measurements. The MD parameter is automatically adapted to longer times when the AD parameter is increased, but not automatically to shorter times. In standard operation, the repetition rate is 20 ms, so that a complete data set is recorded by all sensors every 20 ms. Please note: AD can be set in ms steps, but MD can only be set in 10 ms steps.
Value range:	0 ... 30000
Initial value:	2

## Command NC

<id>NC</id>	Correction to north (North Correction)
Access:	Configuration mode (ADMIN)
Description:	With North correction a constant angle is also added to the measured angle. This value is used to correct a known angle error. If the ULTRASONIC is for example not aligned directly to north but to north-east, the wind direction will always show 45 ° too little. In this case a north correction of 45 must be selected. North correction affects the output wind directions in the data telegrams as well as the analogue output values.
Range of values:	0 ... 359 in 1 ° increments
Initial value:	0

## Command OF

<id>OF</id>	Switching the output format of the telegrams (Output Formatter)
Access:	Configuration mode (ADMIN)
Description:	The OF command switches the telegram output format.
Parameter Description:	0: Standard Ausgabetelegramme 2: Alternatives Ausgabetelegramm für TT/TR9
Range of values:	0 2
Initial value:	0



## Command OP

<id>OP<para5>	To expand the output telegrams with optional parameters.
Access:	Configuration mode (ADMIN)
Description:	With this parameter, the parameters listed below can also be output for each telegram, with the exception of the NMEA telegram (TR5 / TT5). The output is always after the measured values and before the date / time or before the checksum, see also parameter DT. The order is determined by the position from left to right in the parameter. If the parameter OP = 13, first the value "absolute air pressure" and then the value "housing temperature" are appended to the measured values.
Parameter description:	<p>0: No additional values in the output telegram (off).</p> <p>1: Output of the absolute air pressure (air pressure on the device).</p> <p>2: Output of the calculated air pressure reduced to sea level (QNH) see the parameter SH.</p> <p>3: Output of the housing temperature of the device.</p> <p>4: Output of the supply voltage of the device.</p>
Range of values	00000...44444
Initial value:	0

## Command OR

<id>OR<para5>	Telegram output interval (Output Rate)
Access:	Configuration mode (ADMIN)
Description:	With independent telegram output this parameter is used to specify the time interval in which telegrams are output via the serial interface. Specification is made in milliseconds. If the output speed is higher than the transmission speed of the data, the available output is discarded. If the output repeat rate is faster than acquisition of the measured values, the measured values available are double- or multiply output.
	See also chapter <b>8.4.2</b> , <b>Command TT</b> , <b>Command DM</b> .
Parameter description:	<p>0: A telegram is output only when the sensor is triggered via the control line. See also <b>Command TG</b> and <b>Command PU</b> („Pull Up“).</p> <p>10 ... 10000 Specifies the output interval in milliseconds.</p>
Value range:	0 ... 10000 [ms]
Initial value:	100

## Command OS

<id>OS<para5> Scaling of wind velocity output (Output Scale)  
 Access: Configuration mode (ADMIN)  
 Description: This command is used to specify in which unit of measurement the wind velocity is output in the serial telegram. Different units of measurement are available for this purpose.

Parameter description:

Parameter	Unit of measurement	Conversion factor related to m/s
0	m/s	1
1	km/h	1 m/s => 3.6km/h
2	miles/h	1 m/s => 2.237miles/h
3	knots	1 m/s => 1.94kn

**Table 7: Conversion factors between different wind velocities**

Value range: 0 ... 3  
 Initial value: 0

## Command PC

<id>PC<para5> Plausibility check  
 Access: Configuration mode (ADMIN)  
 Description: This command can be used to reduce the plausibility for use in a turbulent environment.  
 Only plausibility levels 2 and 3 are available.  
 The plausibility levels 0 + 1 are reserved for the manufacturer for testing purposes.

Parameter description:

- 0: TOF (Time of flight) filtering
- 1: In addition to 0 virtual temperature difference test
- 2: In addition to 1 turbulence up to 3m / s between 2 measurements permissible
- 3: In addition to 1 turbulence up to 6m / s between 2 measurements permissible

Value range: 0 ... 3  
 Initial value: 2

### Command PU

<id>PU</id>  
 Access: Configuration mode (ADMIN)  
 Description: Switchable pull up to control line (approx.5mA, approx. 5V unloaded)  
 The command connects a „pull-up“ power to the control line, so that the ULTRASONIC can be controlled by means of a potential-free switch-contact. In addition, the control line can be used also as signal output for signalization of instrument conditions by connecting or disconnecting the “pull-up” power. The „pull-up“ power is not available in the sleep-mode!

Parameter description:

0:	Pull-up current off (Control line is pulled-down by internal optocoupler).
1:	Pull-up current on.
2:	Pull-up current on at exceeding wind warning threshold (operating as output)
3:	Pull-up current off at exceeding wind warning threshold (operating as output)
4:	Pull-up current on at general malfunction (operating as output)
5:	Pull-up current off at general malfunction (operating as output)

Value range: 0 ... 5  
 Initial value: 0

### Command RD

<id>RD</id>  
 Access: Configuration mode (ADMIN)  
 Description: Response delay  
 The command delays the response of the ULTRASONIC, after a command via the serial interface, by the mentioned time in ms.  
 The minimum delay time from the end of the last character of the query telegram up to the transmitting of the first character of the response telegram is approx..5sec. without additional response delay.  
 For the half duplex mode an RD of 20ms is recommended.

Range of values: 0 ... 1000  
 Initial value: 5  
 Unit: ms

### Command RS

<id>RS</id>  
 Access: Configuration mode (ADMIN)  
 Description: Restart ULTRASONIC (Reset)  
 With transmission of this command the ULTRASONIC is restarted by the watchdog..

Parameter description:

1:	The ULTRASONIC performs a warm start. It behaves as after connection of the supply voltage.
2:	The ULTRASONIC does no longer operate the watchdog. This results in a restart after approx. 11sec (watchdog test function)

Value range: 1 ... 2  
 Initial value: No initial value

## Command RT

<id>RT<para7> For operating the Real Time Clock of the ULTRASONIC (Real Time)  
Access: Configuration mode (ADMIN)  
Description: Output and Setting of time and date of the ULTRASONIC.  
Parameter description:  
T: Output of the system time of the ULTRASONIC in the form:  
"hh:mm:ss".  
Example for setting the system time to 12:00h: "00RTT120000"  
D: Output of system date of the ULTRASONIC in the form: "dd:mm:yy".  
Example for setting the date to 31.07.2008: "00RTD310708"  
  
Before use the current UTC-time should be set!  
An automatic summer-/ winter time setting is currently not supported.

## Command SC

<id>SC<para5> For cable break recognition the power- and voltage outputs (Start Current)  
can be set with their starting value on 20 % of the final value.  
Access: Configuration mode (ADMIN)  
Parameter description:  
0: Characteristic line of analogue outputs: 0 ... 20mA / 0 ... 10V  
1: Characteristic line of analogue outputs: 4 ... 20mA / 2 ... 10V  
Initial value: depending on instrument

## Command SH

<id>SH<para5> Station height for calculation of the air pressure on mean sea level  
Access: Configuration mode (ADMIN)  
Description: Entry of station height in meters above sea level for conversion of air pressure  
on sea level.  
Parameter description:  
0 ... 9000: Station height in meters (basis for the conversion of air  
pressure on sea level)  
  
***This parameter is used only with the Ultrasonic Compact 4.3875.2X.XXX !***  
Initial value: 0

## Command SM

**<id>SM</id>** Energy saving mode (Sleep Mode)  
 Access: Configuration mode (ADMIN)  
 Description: For energy-saving operation there is an energy saving mode available in 2 alternatives.  
 In the energy saving mode the processor cycle is switched off during the measurement pause. Thus, the power consumption drops to approx. 4mA during these pauses.

Prerequisite for an energy saving mode is:

1. the output rate is reset (to 0), see command OR
2. the measurement delay is reset (to 0), see command MD
3. the heating control is switched off, see also command HT

Reasonable is also to switch off the averaging AV=0 (see command AV).

Parameter description:

0: ULTRASONIC is always switched on (standard)  
 1 ... 600: energy saving mode, telegram output every 1 ... 600s by internal clock pulse  
 1000: energy saving mode, telegram output by operating the sensor control line, see also command TG and Command PU.

Value range: 0 ... 600, 1000

## Command SN

**<id>SN</id>** Output of the 8-digit serial number (Serial Number)  
 Access: Query mode  
 Description: On factory-adjustment, each ULTRASONIC is equipped with a serial number. The ULTRASONIC can clearly be identified by this serial number.

Parameter description:

The ULTRASONIC responds, for ex., to serial-number „12345678“:  
 !00SN12345678  
 Serial number: 12345678 (see also command HH “Verbose ON“)

Value range: 0 ... 99999999

## Command SS

**<id>SS</id>** System status (System Status)  
 Access: Query mode  
 Description: Outputs the selected parameters of all commands. All parameters stored in the EEPROM are output here.  
 Before parameters of the ULTRASONIC are changed, this command should be used to generate and save a list of the selected parameters, e.g. by copying parameters to a text file.

Parameter description:

No parameter is necessary when using the command SS. Call-up with selected instrument - ID 00 is as follows:  
 00SS<cr> with <cr> Carriage return (Enter key)

## Command SU

<id>SU<para5>      Preparing a Firmware Upload (Software Upload)  
 Access:                Configuration mode (ADMIN)  
 Description:          Starts the Bootloader for preparing a firmware-upload.

The required upload-baud rate (see BR) should be set in the upload-tool before the firmware-upload. With a maximum upload baud rate of 115200 baud the firmware-upload lasts approx. 2min.

From initiating of this procedure until the „firmware-upload“ should not pass more than 2min, because after a total of 3min the ULTRASONIC restarts automatically, when the upload process has not been started until then.. An early break during a firmware upload may result in the ULTRASONIC not responding any more to commands. When upload re-trials after power on/off with subsequent upload start by the upload-tool remain without success, the instrument must be sent in to the manufacturer.

## Command SV

<id>SV<para5>      Software version  
 Access:                Query mode  
 Description:          The command outputs the start message with the current software version.

### Parameter description

0/ or no parameter, outputs the current software version  
 1: The command outputs the start message with the current software versions

## Command TA

<id>TA                Thies order number  
 Access:                Query mode  
 Description:          The command outputs the factory-determined Thies order number for example: 4.3875.00.340

## Command TG

<id>TG<para5>      Trigger characteristic of the control line (TriGger)  
 Access:                Configuration mode (ADMIN)  
 Description:          Definition of the necessary voltage status for controlling the telegram output via the sensor control line, see also Command PU.  
 When using the trigger for the telegram output, first the requested telegram should be selected by means of “TT”, and afterwards the output rate (parameter “OR”) must be reset, so that the telegram is output only in case of a trigger event.

### Parameter description:

0:    Controlling switched off via the control line.  
 1:    Telegram output with rising edge of control voltage  
 2:    Telegram output with falling edge of control voltage  
 3:    Telegram output while the control voltage is „high“.  
 4:    Telegram output while the control voltage is „low“

Value range:        0..4  
 Initial value:        0

## Command TI

<id>TI<para5> Telegram Information  
 Access: Query mode  
 Description: Output of a telegram information about the type of the measuring value in short form.

Parameter description:

0: Output of a brief information to the telegram, see command TT  
 1,2,3,4,7,8,9,12 Output of a brief information to telegram 1,2,3,4,7,8,9,12  
 Value range: 0,1,2,3,4,7, 8,9,12 Valid telegrams see also **Command TR**.  
 Initial value: 0

## Command TR

<id>TR<para5> Telegram Request (Telegram request)  
 Access: Query mode  
 Description: The command TR is used to specifically request a telegram from the ULTRASONIC. After interpretation the ULTRASONIC sends back the requested telegram. The instrument specifies a series of predefined telegrams, as well as option for the user to configure his own telegram: see Fixed telegram formats, User-specific telegram.  
 In half duplex mode the command TR is the sole option for requesting measured values via the RS485 interface.  
 The response time of the ULTRASONIC with a telegram request is defined as follows:  
 The time interval after receipt of the last character until transmission of the first character of the response telegram is < 50ms (measured at RXD+ and TXD+ of RS485).  
 The command RD can be used for delaying the response of the ULTRASONIC.

Parameter description:

1: VD telegram (wind velocity, wind direction)  
 2: VDT telegram (wind velocity, wind direction, virtual temperature)  
 3: VD2 telegram (wind velocity and wind direction with higher resolution)  
 4: NMEA V2.0  
 7: Velocity components Vx and Vy  
 8: VDM telegram (wind velocity, wind direction and voltage supply monitor)  
 9: VDPM telegram (wind speed, wind direction, air pressure and supply-voltage-monitor)  
 11: PBT telegram (16 bit binary value of wind velocity, wind direction, virtual temperature and air pressure)  
 12: Scientific diagnostic telegram

Value range 1,2,3,4,7,8,9,11,12  
 Initial value: No initial value

### Command TT

<id>TT<para5> Autonomous telegram output (Telegram Transmission)  
 Access: User mode  
 Description: Determines the number of the telegram, which the ULTRASONIC sends cyclic-autonomously. The telegrams available are the same as specified under **Command TR**. **Command OR** determines the time interval for transmitting the telegrams.  
 In the half duplex mode (see **command DM**) the independent telegram output starts only 10s after the last command, or 20 s after the re-start. Thus, the ULTRASONIC can be re-programmed or resp., the new configuration can be saved.  
 Value range 1,2,3,4,7,8,9,11,12  
 Initial value: 0

### Command WD

<id>WD<UUULLL> Wind warning Delay  
 Access: Configuration mode (ADMIN)  
 Description: In order to prevent turbulent output conditions at the warning thresholds it is possible to set an on- and off-delay.  
 WD specifies the delay from detection to reaction of the upper and lower threshold,  
 see **Command PU** and **Command WW**.  
 UUULLL -> 'UUU' upper and 'LLL' lower threshold delay in steps of seconds  
 Value range 000000 ... 600600  
 Initial value: 0

### Command WW

<id>WD<UUULLL> Wind Warning  
 Access: Configuration mode (ADMIN)  
 Description: It specifies the Pull Up on/off criterion of the control pin, see PU.  
 UUULLL -> 'UUU' upper and 'LLL' lower threshold of velocity criterion in steps of 0.1m/s  
 Rising wind speed exceeding upper threshold enables the criterion and descending wind speed below lower threshold disables the criterion.  
 Herewith a free hysteresis is programmable.  
 Value range 000000 ... 750750  
 Initial value: 0



## 11 MODBUS RTU Command Interpreter

In the MODBUS RTU command interpreter the transmitted bytes are interpreted acc. to the MODBUS specification (<http://www.modbus.org/>). The Ultrasonic is a MODBUS Slave instrument.

The data transmission is carried out in packages, so-called frames, with a max. length of 256 bytes. Each package includes a 16bit CRC check-sum (initial value: 0xFFFF).

### 11.1 MODBUS RTU Telegram Construction

Slave address	Function code	Data	CRC (low-Byte, high-Byte)
1 byte	1 byte	0 ... 252 byte(s)	2 bytes

Table 8 : MODBUS Frame

The following MODBUS functions are supported:

- 0x04 (Read Input Register)
- 0x03 (Read Holding Registers)
- 0x06 (Write Single Register)
- 0x10 (Write Multiple Registers)

The sensor supports write accesses for the slave address 0 („Broadcast“).

All MODBUS requests are checked for validity before execution. In case of error the Ultrasonic responds with one of the following exceptions (→MODBUS Exception Responses):

Code	Name	Meaning
0x01	ILLEGAL FUNCTION	The function code in the request is not allowed for the register address.
0x02	ILLEGAL DATA ADDRESS	The register address in the request is not valid.
0x03	ILLEGAL DATA VALUE	The stated data in the request are not allowed, or the parameter is write-protected.

Table 9 : MODBUS Exceptions

## 11.2 Command Description

The commands of the Ultrasonic occupy 32bit, i.e. 2 MODBUS register addresses, and stand for unsigned integral numbers. The following example shows the changing of baud rate to 19200 baud with subsequent permanent storing of the parameter.

1. Set password for the user level „ADMIN“ (KY=4711)

Slave address	Function code	Start address	Number register(s)	Number byte(s)	Data	CRC	
						low-Byte	high-Byte
0x01	0x10	0x9C 49	0x00 02	0x04	0x00 00 12 67	0x83 B9	

2. Set command baud rate on 19200 baud (BR=192)

Slave address	Function code	Start address	Number register(s)	Number byte(s)	Data	CRC	
						low-Byte	high-Byte
0x01	0x10	0x9C 45	0x00 02	0x04	0x00 00 00 C0	0xCE F6	

3. Storing of the parameter with change to the user level „READ ONLY“ (KY=0)

Slave address	Function code	Start address	Number register(s)	Number byte(s)	Data	CRC	
						low-Byte	high-Byte
0x01	0x10	0x9C 49	0x00 02	0x04	0x00 00 00 00	0xCE F3	

## 11.3 Measuring Values (Input Register)

All measuring values of the Ultrasonic occupy 32bit, i.e., 2 MODBUS register addresses. The following table shows the assignment of measuring values to register address, in which the measuring values are ordered:

- by type of measuring value (30003 to 34999)
- in continuous order (35001 to 35027)

The measuring values are available also at the protocol addresses 2 to 4998 or resp. 5000 to 5026.

The protocol addresses are calculated from the register address less 30001.

Register address	Parameter Name	Unit	Multiplicator	Description	Data type
30003 0x7533	Mean value wind velocity	depending on parameter „OS“ default: m/s	10	value / 10 (1 decimal place, e.g. 101=10.1m/s)	U32
30203 0x75FB	Mean value wind direction	°	10	value / 10 (1 decimal place, e.g. 1010=101.0 °)	U32
30403 0x76C3	Inside temperature of housing	°C	10	value / 10 (1 decimal place, e.g. 355=35.5 °C)	S32
30405 0x76C5	Acoustic temperature	°C	10	value / 10	S32

				(1 decimal place, e.g. 255=25.5 °C)	
30801 0x7851	Absolute air pressure	hPa	100	value / 100 (2 decimal places, e.g. 105000=1050.00hPa)	U32
30803 0x7853	Relative air pressure referred to mean sea level	hPa	100	value / 100 (2 decimal places, e.g. 105000=1050.00 hPa)	U32
34601 0x8729	Date		1	Wert (no decimal place, JJJJMMTT, e.g. 20121210=10.12.2012)	U32
34603 0x872B	Time		1	value (no decimal place, HHMMSS, e.g. 121035=12:10:35)	U32
34811 0x87FB	Sensor status		1	see sensor status chapter 6.2.4	U32
34995 0x88B3	Sensor supply	V	10	value /10 (1 decimal place, e.g. 241=24.1V)	U32
34997 0x88B5	Live Counter	ms	1	value (no decimal place, internal ms counter)	U32
34999 0x88B7	Error status of last measuring value		1	value (no decimal place, 0=no error, 1= meas. value was faulty)	U32

Continuous Order of Measuring Values from 35001					
Register address	Parameter Name	Unit	Multiplicator	Description	Data type
35001 0x88B9	Mean value wind velocity (30003) <sup>1</sup>	depending on parameter „OS“ default: m/s	10	value / 10 (1 decimal place, e.g., 101=10.1 m/s)	U32
35003 0x88BB	reserved	m/s	10	value always: 0xFFFFFFFF	U32
35005 0x88BD	Mean value wind direction (30203) <sup>1</sup>	°	10	value / 10 (one decimal place, e.g., 1010=101.0 °)	U32
35007 0x88BF	Reserved	°	10	value always: 0xFFFFFFFF	U32

35009 0x88C1	Inside temperature of housing (30403) <sup>1</sup>	°C	10	value / 10 (1 decimal place, e.g., 355=35.5 °C)	S32
35011 0x88C3	Acoustic temperature (30405) <sup>1</sup>	°C	10	value / 10 (1 decimal place, e.g., 255=25.5 °C)	S32
35013 0x88C5	Absolute air pressure (30801) <sup>1</sup>	hPa	100	value / 100 (2 decimal places, e.g., 105000=1050.00 hPa)	U32
35015 0x88C7	Relative air pressure referred to sea level (30803) <sup>1</sup>	hPa	100	Wert / 100 (2 decimal places, e.g., 105000=1050.00 hPa)	U32
35017 0x88C9	Date (34601) <sup>1</sup>		1	value (no decimal place, JJJJMMTT, z.B. 20121210=10.12.2 012)	U32
35019 0x88CB	Time (34603) <sup>1</sup>		1	value (no decimal place, HHMMSS, e.g., 121035=12:10:35)	U32
35021 0x88CD	Sensor status (34811) <sup>1</sup>		1	see sensor status chapter 6.2.4	U32
35023 0x88CF	Sensor supply (34995) <sup>1</sup>	V	10	value /10 (1 decimal place, e.g., 241=24.1 V)	U32
35025 0x88D1	Live Counter (34997) <sup>1</sup>	ms	1	value (no decimal place, internal ms counter)	U32
35027 0x88D3	Error status of last measuring value (34999) <sup>1</sup>		1	value (no decimal place, 0=no error, 1= meas. value was faulty)	U32

**Table 10 : MODBUS Input Register**

<sup>1</sup>: The numbers in brackets denominate the register addresses, which represent the same measuring values.

Thus, the mean value of the wind velocity is for ex. at the address 30003, and at the address 35001.

An erroneous measuring value of type S32 (signed int 32Bit) is registered as „0x7FFFFFFF“,

An erroneous measuring type U32 (unsigned int 32Bit) is registered respectively as „0xFFFFFFFF“. After the query of one single measuring value the error status can be requested, alternatively, via the register address 34999 or resp. 35061.

**Remark:**

*By continuous order of the measuring values from address 35001, the MODBUS Master can read-out all measuring values by one request!*

## 11.4 Commands (Holding Register)

The following table shows the commands available with the appropriate passwords for writing:

Command	MODBUS Register address/ Protocol address	Description	Password	
			reading <sup>1</sup>	writing <sup>2</sup>
Command AV	40015 / 14	Averaging interval for wind velocity and wind direction. 0 ... 1200 (x 100ms = 0 ... 120.0s)	without	Admin
Command BR	40005 / 4	Baud rate, s. command „BR“ Thies format	without	Admin
Command CI	40013 / 12	Command interpreter, s. command CI Thies format	without	Admin
Command DM	40011 / 10	Duplex mode, s. command „DM“ Thies format	without	Admin
Command HC	40023 / 22	Heating condition 5 ... 48 V	without	Admin
Command HT	40027 / 26	Heating control, s. command HT Thies format	without	Admin
Command ID	40003 / 2	Identification number / Slave address 0 ... 99	without	Admin
Command KY	40009 / 8	Set access key (Admin = 4711)	without	without
Command NC	40017 / 16	North correction of the wind direction g (0 ... 359 °)	without	Admin
Command RS	40253 / 252	Reset: 1 -> warm start	without	Admin
Command SH	40019 / 18	Station height (0 ... 9000m)	without	Admin
Command SN	40007 / 6	Serial number	without	Not allowed
Command SV	45005 / 5004	Software version e.g.: 230 = V2.30	without	Not allowed
Command TA	45001 / 5000	Thies article number e.g.: 4.3875.00.000 (64Bit)	without	Not allowed

**Table 11 : List of commands MODBUS RTU Interpreter**

<sup>1</sup>: Command without parameter (serves for reading the set parameter)

<sup>2</sup>: Command with parameter (serves for reading the new parameter)

## 12 Appendix 1 Predefined Data Telegrams

---

### 12.1 Telegram 1 VD

#### Wind speed and wind direction

Command: TR1 Command: TT1

Construction of telegram:

VD (STX)xx.x xxx\*xx(CR)(ETX)

CH. NO.	Function
1	STX (HEX 02)
2	10 <sup>1</sup> wind velocity
3	10 <sup>0</sup> wind velocity
4	. decimal point (HEX 2E)
5	10 <sup>-1</sup> wind velocity
6	Blank character (HEX 20)
7	10 <sup>2</sup> wind direction
8	10 <sup>1</sup> wind direction
9	10 <sup>0</sup> wind direction
10	* (HEX 2A) checksum identifier
11	High byte checksum in HEX (2 ... 9)
12	Low byte checksum in HEX (2 ... 9)
13	CR (HEX 0D) Carriage return
14	ETX (HEX 03)

Telegram output in case of error

CH. NO.	Function
1	STX (HEX 02)
2	'F'
3	'F'
4	. decimal point (HEX 2E)
5	'F'
6	Blank character (HEX 20)
7	'F'
8	'F'
9	'F'
10	* (HEX 2A) checksum identifier
11	High byte checksum in HEX (2 ... 9)
12	Low byte checksum in HEX (2 ... 9)
13	CR (HEX 0D) Carriage return
14	ETX (HEX 03)

## 12.2 Telegram 2 VDT

### Wind speed, wind direction, acoustic-virtual temperature

Command: TR2 command: TT2

Construction of telegram:  
(STX)xx.x xxx xxx.x xx\*xx(CR)(ETX)

CH. NO.	FUNCTION
1	STX (HEX 02)
2	10 <sup>1</sup> wind velocity
3	10 <sup>0</sup> wind velocity
4	. decimal point (HEX 2E)
5	10 <sup>-1</sup> wind velocity
6	Blank character (HEX 20)
7	10 <sup>2</sup> wind direction
8	10 <sup>1</sup> wind direction
9	10 <sup>0</sup> wind direction
10	Blank character (HEX 20)
11	+ or - sign
12	10 <sup>1</sup> temperature
13	10 <sup>0</sup> temperature
14	. decimal point (HEX 2E)
15	10 <sup>-1</sup> temperature
16	Blank character (HEX 20)
17	High byte status byte
18	Low byte status byte
19	* (HEX 2A) checksum identifier
20	High byte checksum in HEX (2 .. 18)
21	Low byte checksum in HEX (2 ... 18)
22	CR (HEX 0D) Carriage return
23	ETX (HEX 03)

Telegram output in case of error

CH. NO.	FUNCTION
1	STX (HEX 02)
2	'F'
3	'F'
4	. decimal point (HEX 2E)
5	'F'
6	Blank character (HEX 20)
7	'F'
8	'F'
9	'F'
10	Blank character (HEX 20)
11	'F'
12	'F'
13	'F'
14	. decimal point (HEX 2E)
15	'F'
16	Blank character (HEX 20)
17	High byte status byte
18	Low byte status byte
19	* (HEX 2A) checksum identifier

20	High byte checksum in HEX (2 ... 18)
21	Low byte checksum in HEX (2 ... 18)
22	CR (HEX 0D) Carriage return
23	ETX (HEX 03)

## 12.3 Telegram 3 VD2

### Wind speed, wind direction with higher resolution

Command TR3 Command: TT3

Construction of telegram:  
(STX)xxx.xx xxx.x\*xx(CR)(ETX)

CH. NO.	FUNCTION
1	STX (HEX 02)
2	10 <sup>2</sup> wind velocity
3	10 <sup>1</sup> wind velocity
4	10 <sup>0</sup> wind velocity
5	. decimal point (HEX 2E)
6	10 <sup>-1</sup> wind velocity
7	10 <sup>-2</sup> wind velocity
8	Blank character (HEX 20)
9	10 <sup>2</sup> wind direction
10	10 <sup>1</sup> wind direction
11	10 <sup>0</sup> wind direction
12	. decimal point (HEX 2E)
13	10 <sup>-1</sup> wind direction
14	* (HEX 2A) checksum identifier
15	High byte checksum in HEX (2 ... 13)
16	Low byte checksum in HEX (2 ... 13)
17	CR (HEX 0D) Carriage return
18	ETX (HEX 03)

Telegram output in case of error

CH. NO.	FUNCTION
1	STX (HEX 02)
2	'F'
3	'F'
4	'F'
5	. decimal point (HEX 2E)
6	'F'
7	'F'
8	Blank character (HEX 20)
9	'F'
10	'F'
11	'F'
12	. decimal point (HEX 2E)
13	'F'
14	* (HEX 2A) checksum identifier
15	High byte checksum in HEX (2 ... 13)
16	Low byte checksum in HEX (2 ... 13)
17	CR (HEX 0D) Carriage return
18	ETX (HEX 03)



## 12.4 Telegram 00004 NMEA

### NMEA 0183 version 2.0

Command: TR4 Command TT4

Construction of telegram: \$WIMWV,xxx.x,R,xxx.x,N,A\*xx(CR)(LF)

CH. NO.	FUNCTION
1	\$ (HEX 24) dollar
2	W (HEX 57)
3	I (HEX 49)
4	M (HEX 4D)
5	W (HEX 57)
6	V (HEX 56)
7	, (HEX 2C) comma
8	10 <sup>2</sup> wind direction
9	10 <sup>1</sup> wind direction
10	10 <sup>0</sup> wind direction
11	. (HEX 2E) decimal point
12	10 <sup>-1</sup> wind direction
13	, (HEX 2C) comma
14	R (HEX 52)
15	, (HEX 2C) comma
16	10 <sup>2</sup> wind velocity
17	10 <sup>1</sup> wind velocity
18	10 <sup>0</sup> wind velocity
19	. (HEX 2E) decimal point
20	10 <sup>-1</sup> wind velocity
21	, (HEX 2C) comma
22	K, N, M, S = km/h, Knots, m/s, mph
23	, (HEX 2C) comma
24	A, V A = valid, V = invalid
25	* (HEX 2A) checksum identifier
26	High byte checksum in HEX (2 ... 24)
27	Low byte checksum in HEX (2 ... 24)
28	CR (HEX 0D) Carriage return
29	LF (HEX 0A) Line feed

Telegram output in case of error

CH. NO.	FUNCTION
1	\$ (HEX 24) dollar
2	W (HEX 57)
3	I (HEX 49)
4	M (HEX 4D)
5	W (HEX 57)
6	V (HEX 56)
7	, (HEX 2C) comma
8	, (HEX 2C) comma
9	R (HEX 52)
10	, (HEX 2C) comma
11	, (HEX 2C) comma
12	K, N, M, S = km/h, Knots, m/s, mph
13	, (HEX 2C) comma

14	V (V = invalid)
15	* (HEX 2A) checksum identifier
16	High byte checksum in HEX (2 ... 14)
17	Low byte checksum in HEX (2 ... 14)
18	CR (HEX 0D) Carriage return
19	LF (HEX 0A) Line feed

## 12.5 Telegram 7 Vx, Vy, VT

### Wind velocity components Vx und Vy

Command: TR7 Command: TT7

Construction of telegram:

(STX)xxx.x;xxx.x;xxx.x;xx;xx(CR)(ETX)

CH. NO.	FUNCTION
1	STX (HEX 02)
2	+ or - sign
3	10 <sup>1</sup> wind velocity X
4	10 <sup>0</sup> wind velocity X
5	. (HEX 2E) decimal point
6	10 <sup>-1</sup> wind velocity X
7	; (semicolon)
8	+ or - sign
9	10 <sup>1</sup> wind velocity Y
10	10 <sup>0</sup> wind velocity Y
11	. (HEX 2E) decimal point
12	10 <sup>-1</sup> wind velocity Y
13	; (semicolon)
14	+ or - sign
15	10 <sup>1</sup> temperature
16	10 <sup>0</sup> temperature
17	. (HEX 2E) decimal point
18	10 <sup>-1</sup> temperature
19	; (semicolon)
20	High Byte status byte
21	Low Byte status byte
22	; (semicolon)
23	High Byte check sum in HEX (1 ... 22)
24	Low Byte check sum in HEX (1 ... 22)
25	CR (HEX 0D) Carriage Return
26	ETX (HEX 03)

Telegram output in case of error

CH.NO.	FUNCTION
1	STX (HEX 02)
2	+
3	F
4	F
5	. (HEX 2E) decimal point
6	F

7	; (Semicolon)
8	+
9	F
10	F
11	. (HEX 2E) decimal point
12	F
13	; (Semicolon)
14	+
15	F
16	F
17	. (HEX 2E) decimal point
18	F
19	; (Semicolon)
20	High Byte status byte
21	Low Byte status byte
22	; (Semicolon)
23	High Byte Check sum in HEX (1 ... 22)
24	Low Byte Check sum in HEX (1 ... 22)
25	CR (HEX 0D) Carriage Return
26	ETX (HEX 03)

## 12.6 Telegram 8 VDM

Wind speed, wind direction with higher resolution and supply voltage monitor

Command: TR8 Command: TT8

Construction of telegram:

(STX)xx xxx.xx xxx.x xx xx\*xx(CR)(ETX)

CH. NO.	FUNCTION
1	STX (HEX 02)
2	10 <sup>1</sup> Sensor ID
3	10 <sup>0</sup> Sensor ID
4	Blank Character (HEX 20)
5	10 <sup>2</sup> Wind Velocity
6	10 <sup>1</sup> Wind Velocity
7	10 <sup>0</sup> Wind Velocity
8	. Decimal Point (HEX 2E)
9	10 <sup>-1</sup> Wind Velocity
10	10 <sup>-2</sup> Wind Velocity
11	Blank Character (HEX 20)
12	10 <sup>2</sup> Wind Direction
13	10 <sup>1</sup> Wind Direction
14	10 <sup>0</sup> Wind Direction
15	. Decimal Point (HEX 2E)
16	10 <sup>-1</sup> Wind Direction
17	Blank Character (HEX 20)
18	Status Byte (High Byte)
19	Status Byte (Low Byte)
20	Blank Character (HEX 20)
21	Supply Voltage Monitor (HEX High Byte)
22	Supply Voltage Monitor (HEX Low Byte)

23	* (HEX 2A) Checksum Identifier
24	High byte checksum in HEX (2 ... 22)
25	Low byte checksum in HEX (2 ... 22)
26	CR (HEX 0D) Carriage return
27	ETX (HEX 03)

Telegram output in case of error

CH. NO.	FUNCTION
1	STX (HEX 02)
2	10 <sup>1</sup> Sensor ID
3	10 <sup>0</sup> Sensor ID
4	Blank Character (HEX 20)
5	'F'
6	'F'
7	'F'
8	. Decimal Point (HEX 2E)
9	'F'
10	'F'
11	Blank Character (HEX 20)
12	'F'
13	'F'
14	'F'
15	. Decimal Point (HEX 2E)
16	'F'
17	Blank Character (HEX 20)
18	Status Byte (High Byte)
19	Status Byte (Low Byte)
20	Blank Character (HEX 20)
21	Supply Voltage Monitor (HEX High Byte)
22	Supply Voltage Monitor (HEX Low Byte)
23	* (HEX 2A) checksum identifier
24	High byte checksum in HEX (2 ... 22)
25	Low byte checksum in HEX (2 ... 22)
26	CR (HEX 0D) Carriage return
27	ETX (HEX 03)

## 12.7 Telegram 9 VDPM (OF = 0)

Wind speed, wind direction with higher resolution, air pressure (optional) and Supply-voltage-monitor

command: TR9 command: TT9

Telegram construction:

(STX)xx xxx.xx xxx.x xxxx.x xx xx\*xx(CR)(ETX)

CH. NO.	Function
1	STX (HEX 02)
2	10 <sup>1</sup> Sensor ID
3	10 <sup>0</sup> Sensor ID
4	Blank character (HEX 20)
5	10 <sup>2</sup> Wind Velocity
6	10 <sup>1</sup> Wind Velocity
7	10 <sup>0</sup> Wind Velocity
8	. decimal point (HEX 2E)
9	10 <sup>-1</sup> Wind Velocity
10	10 <sup>-2</sup> Wind Velocity
11	Blank character (HEX 20)
12	10 <sup>2</sup> Wind Direction
13	10 <sup>1</sup> Wind Direction
14	10 <sup>0</sup> Wind Direction
15	. Decimal point (HEX 2E)
16	10 <sup>-1</sup> Wind direction
17	Blank character (HEX 20)
18	'F' (optional: 10 <sup>3</sup> air pressure)
19	'F' (optional: 10 <sup>2</sup> air pressure)
20	'F' (optional: 10 <sup>1</sup> air pressure)
21	'F' (optional: 10 <sup>0</sup> air pressure)
22	. Decimal point (HEX 2E)
23	'F' (optional: 10 <sup>-1</sup> air pressure)
24	Blank character (HEX 20)
25	Status Byte (High Byte)
26	Status Byte (Low Byte)
27	Blank character (HEX 20)
28	Supply-voltage-monitor (HEX High Byte)
29	Supply-voltage-monitor (HEX Low Byte)
30	* (HEX 2A) Checksum identifier
31	High byte Checksum in HEX (2 ... 29)
32	Low byte Checksum in HEX (2 ... 29)
33	CR (HEX 0D) Carriage return
34	ETX (HEX 03)

Telegram output in case of error

CH. NO.	Function
1	STX (HEX 02)
2	10 <sup>1</sup> Sensor ID
3	10 <sup>0</sup> Sensor ID
4	Blank character(HEX 20)
5	'F'

6	'F'
7	'F'
8	. Decimal point (HEX 2E)
9	'F'
10	'F'
11	Blank character (HEX 20)
12	'F'
13	'F'
14	'F'
15	. Decimal point (HEX 2E)
16	'F'
17	Blank character (HEX 20)
18	'F'
19	'F'
20	'F'
21	'F'
22	. Decimal point (HEX 2E)
23	'F'
24	Blank character (HEX 20)
25	Status Byte (High Byte)
26	Status Byte (Low Byte)
27	Blank character (HEX 20)
28	Supply-voltage-monitor (HEX High Byte)
29	Supply-voltage-monitor (HEX Low Byte)
30	* (HEX 2A) Checksum identifier
31	High byte checksum in HEX (2 ... 29)
32	Low byte checksum in HEX (2 ... 29)
33	CR (HEX 0D) Carriage return
34	ETX (HEX 03)

### 12.7.1 Telegramm 9 (OF=2)

#### Device ID, wind speed, wind direction, acoustic temperature, status byte, checksum

Command: TR9 Command: TT9 (only OF=2)

Telegram structure constant 15 Bytes:

CH. NO.	Function
1	',' (start sign)
2	10 <sup>1</sup> sensor ID
3	10 <sup>0</sup> sensor ID
4	10 <sup>1</sup> wind speed
5	10 <sup>0</sup> wind speed
6	10 <sup>-1</sup> wind speed
7	10 <sup>2</sup> wind direction in degrees
8	10 <sup>1</sup> wind direction in degrees
9	10 <sup>0</sup> wind direction in degrees
10	+/-
11	10 <sup>1</sup> acoustic virtual temperature
12	10 <sup>1</sup> acoustic virtual temperature
13	10 <sup>-1</sup> acoustic virtual temperature
14	Status byte (binär)
15	Checksum byte (binär)

## Telegram example:

!00001229+207@3

## Structure of the status byte (binary):

BIT2+1:	Deviation of the virtual temperatures	0 0 → <3.2K
		0 1 → 3.2K ... 6.3K
		1 0 → 6.4K ... 7.8K
		1 1 → >7.8K
BIT4+3:	Buffer level	0 0 → 81 ... 100%
		0 1 → 67 ... 80%
		1 0 → 34 ... 66%
		1 1 → <34%
BIT5:	always 0	
BIT6:	always 1	

## Aufbau der Checksumme (binär):

Byte checksum from the start character to the status byte (inclusive)

High-Nibble EOR Low-Nibble + 0x30 (HEX)

## 12.8 Telegram 11 PBT

### Wind velocity, wind direction and acoustic-virtual temperature

Command: TR11 Command: TT11

Telegram construction:

(STX)xx.x xxx xxx.x xx\*xx(CR)(ETX)

Character No.	Normal function	Output in error case
1-3	PBT (3 Bytes HEX 50 42 54)	PBT as normal function
4-5	Wind velocity in 1/10 m/s (2byte binary)	0xFFFF (binary Low-Byte High-Byte)
6-7	Wind direction in ° (2 Byte binary)	0xFFFF (binary Low-Byte High-Byte)
8-9	Temperature 1/10 °C (2 signed byte binary)	0xFF7F (binary Low-Byte High-Byte)
10-11	Air pressure in 1/10 hPa (2 Byte binary) *	0xFFFF (binary Low-Byte High-Byte) *
12-13	Status word (2byte binary)	Status word as normal function
14	Check sum XOR from 1. to 13. byte (1 byte)	Check sum as normal function

\* The air pressure is optional; here is - if not available - always „0xffff“ (2byte binary) output.

## 12.9 Telegram 12                      Scientific Telegram

### Scientific Diagnostic Telegram

Command: TR12    Command: TT12

Construction of telegram:

WG;WR;VT;VY;VX;T13;T24; C31; C42; C13; C24; PA;INTER; AV; STh; STgen; LC

WG	Wind speed (7,2;)
WR	Wind direction (6,2;)
VT	Virtual temperature (6,2;)
VY	Speedvektor of distance Y (7,2;)
VX	Speedvektor of distance X (7,2;)
T13	Virtual temperature of distance 1 < - > 3 (7,2;) (last measured value in averaging interval; -273,15 °C in case of no valid value)
T24	Virtual temperature of distance 2 < - > 4 (7,2;) (last measured value in averaging interval; -273,15 °C in case of no valid value)
C31	Measuring value run-time Converter 3 in direction Converter 1 (5;)
C42	Measuring value run-time Converter 4 in direction Converter 2 (5;)
C13	Measuring value run-time Converter 1 in direction Converter 3 (5;)
C24	Measuring value run-time Converter 2 in direction Converter 4 (5;)
PA	Internal counter (5;), pre-averaging (100ms) (5;)
INTER	Time interval, where the values are written into the main average memory (5;)
AV	Number of values in the main average memory (5;)
Sth	THIES Status (2;)( hexadecimal display)
STgen	Telegram status , see <b>8.4.5.1</b> (hexadecimal display) (4;)
LC	Internal tick count in ms of the processor (7;\r\n)

Signification (7,2;)    (x;y)

X = Number of digits in the telegram

Y = Number of decimal places

For example (7;2;) = 0000.00;

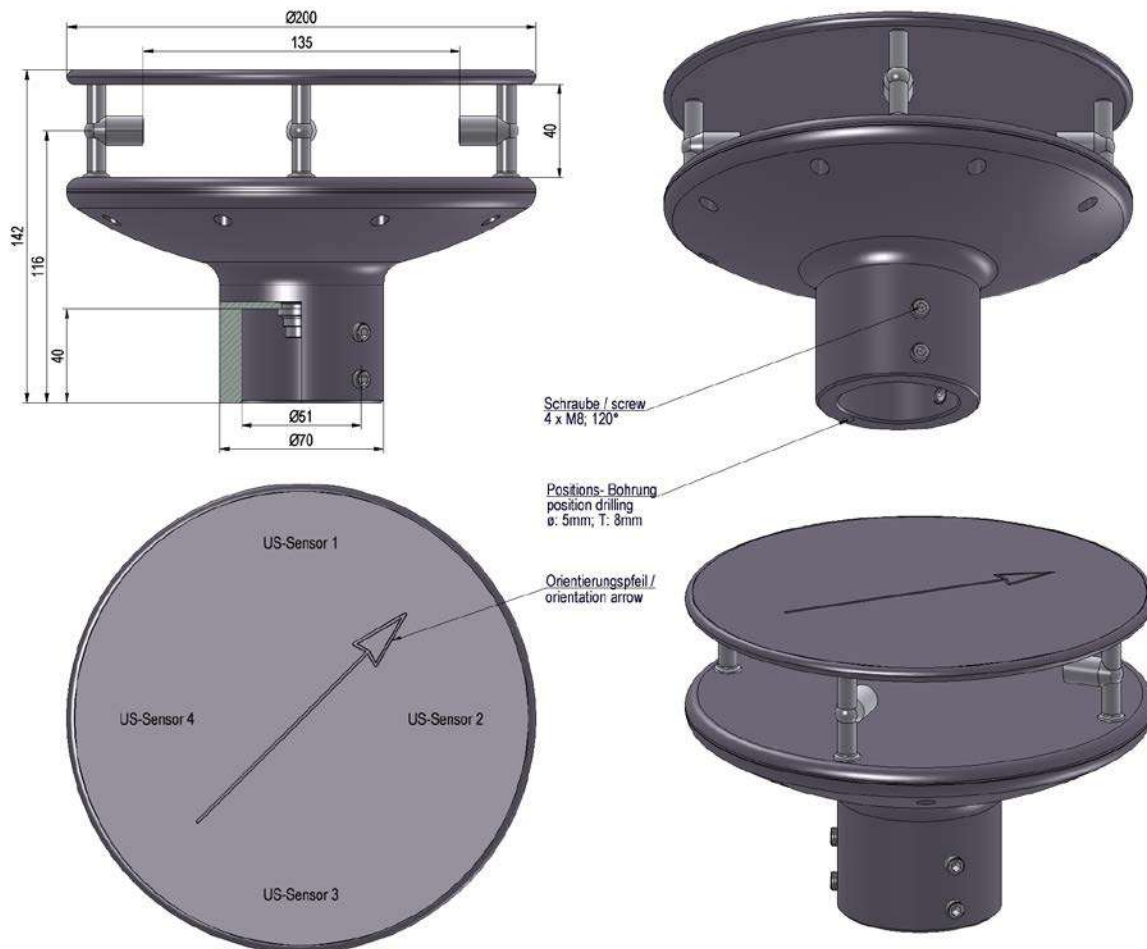


## 13 Technical Data

<b>Wind velocity</b>	Measuring range	0.01 ... 75m/s Scaling of analogue output freely selectable	
	Accuracy	≤5m/s:	±0.2m/s (rms, mean over 360°)
		5 ... 60m/s:	±2% of meas. value (rms- mean over 360 °)
		60 ... 75m/s:	±3% of meas. value (rms- mean over 360 °)
	Resolution	0.1m/s:	In the telegrams: 1, 2, 4, 7
		0.01m/s:	in the telegram 3
<b>Wind direction</b>	Measuring range	0 ... 360°	
	Accuracy	±2.0° at WV >1m/s	
	Resolution	1°:	In the telegrams 1, 2
		0.1°:	in telegrams 3, 4
<b>Virtual temperature</b>	Measuring range	-50 ... +70 °C	
	Accuracy	±2.0K	
	Resolution	0.1K (in the telegrams 2 and 7)	
<b>Air pressure</b>	Measuring range	300 ... 1100hPa	
	Accuracy	±0.25hPa @ 700 ... 1050hPa and +25 ...+40 °C ±2.0hPa @ 300 ... 1100hPa, -40...+60 °C and activated heating	
	Resolution	0.1hPa	
	Long-term stability	<±1hPa per year	
<b>Data output digital</b>	Interface	RS 485 / RS 422 Galvanically isolated from supply and housing	
	Baud rate	1200, 2400, 4800, 9600, 19200, 38400, 57600, 115200, 230400, 460800, 921600 adjustable	
	Output	Instantaneous values,. gliding mean values freely selectable from 100msec to 2min in increments of 100msec	
	Output rate	1 per 10msec to 1 per 10 seconds freely selectable in increments of 1msec	
	Status identification	Heating, failure of measurement path, ΔT path temperatures	
<b>Data output analogue</b>	Electrical outputs	0 ... 20mA / 0 ... 10V or 4 ... 20mA / 2 ... 10V Galvanically isolated from supply and housing	
		Burden on current output maximum 300Ω	
		Burden on voltage output minimum 2000Ω	
	Output	Instantaneous values Gliding mean values from 100msec to 2min freely selectable in increments of 100msec.	
	Output rate	Updating rate 10msec	

	Resolution	16bit
<b>General</b>	Internal measuring rate	Up to 1000 runtime-measurements per seconds, up to 250 complete measurement sequences/second inclusive calculations
	Bus mode	Bus mode with up to 99 instruments possible
	Firmware update	Firmware update via RS485
	Temperature range	Operating temperature - 50 ... + 80 °C heated - 30 ... + 80 °C unheated Storing - 50 ... + 80 °C Measuring operation possible with heating up to - 75°C
Operating voltage	Supply w/o heating	U: 8 ... 60V DC oder 12 ... 42V AC 45 ... 65Hz P: typ. 1.0VA, max. 1.2VA
Operating voltage	Supply with heating 4.3875.XX.XXX	U: 24V AC/DC ±15%, 45 ... 65Hz P: typ. 240VA, max. 250VA @ 24V
Operating voltage	Supply with heating 4.3875.6X.XXX	U: 48V DC ±10 % P: typ. 360Watt @ 48V
	Protection	IP 68 - applies with proper installation, see section 4. Preparation for operation
Icing resistance	W/o US converter heating	Acc. to THIES STD 012001
Icing resistance	With US converter heating	Acc. to THIES STD 012002
Icing resistance 4.3875.6X.XXX	With US converter heating	Acc. to MIL-STD-810G, METHOD 521.3, 2008/10 Configuration: HP10; HC10; HT1
	EMC	EN 61326, 61000-6-2, 61000-6-3
Housing		Aluminium, seawater-resistant Surface: hard-anodized with basic colouring Coat thickness: 40 ... 60µm
	Installation type	e.g. Mast tube Ø 50mm (see dimension drawing)
	Connection type	8-pole plug connection in shaft
	Weight	approx. 2kg

## 14 Dimension Drawing



## 15 Accessories (available as optional features)

---

Connecting cable, complete	<b>507751</b>	15m cable (Type: PUR/C/PP 4x0,75+2x2x0,14) with socket outlet on transmitter side. The other end of the cable is equipped with core identification rings
PC-Program Meteo-Online	<b>9.1700.98.000</b>	For graphical display of measured values on a PC
Interface converter	<b>9.1702.xx.000</b>	For RS 422 signal conversion in RS 232
Lightning rod	<b>4.3100.99.150</b>	As lightning protection
Power supply unit compact	<b>9.3389.10.100</b>	For the power supply of the Ultrasonic Anemometer 2D compact Primary: 230V 50Hz / approx. 400VA
North Ring	<b>508696</b>	Serves as an assembly and alignment aid

**Attention:**

*Due to the expected power loss of the connecting cable, the power supply unit for the anemometer shall be dimensioned respectively.*

## 16 More Information / Documents as download

---

Further information can be found in the short instructions for use. These document and also the instruction for use are available for download under the following links.

Short instruction for use

[https://www.thiesclima.com/db/dnl/4.387x.xx.xxx\\_US-Anemometer-2D-compact\\_eng\\_short.pdf](https://www.thiesclima.com/db/dnl/4.387x.xx.xxx_US-Anemometer-2D-compact_eng_short.pdf)

Instruction for use

[https://www.thiesclima.com/db/dnl/4.387x.xx.xxx\\_US-Anemometer-2D-compact\\_eng.pdf](https://www.thiesclima.com/db/dnl/4.387x.xx.xxx_US-Anemometer-2D-compact_eng.pdf)

# 17 EC-Declaration of Conformity

**Manufacturer:** Adolf Thies GmbH & Co. KG  
 Hauptstraße 76  
 37083 Göttingen, Germany  
<http://www.thiesclima.com>

**Product:** Ultrasonic Anemometer 2D compact Doc. Nr. 607-45134\_CE

**Article Overview:**

4.3875.00.000	4.3876.00.340	4.3875.00.030	4.3875.00.260	4.3875.00.300	4.3875.00.309	4.3875.00.340	4.3875.00.346	4.3875.00.360	4.3875.00.390
4.3875.00.460	4.3875.00.540	4.3875.00.541	4.3875.01.300	4.3875.01.310	4.3875.01.311	4.3875.01.316	4.3875.01.317	4.3875.01.319	4.3875.01.390
4.3875.01.400	4.3875.02.300	4.3875.02.310	4.3875.03.340	4.3875.03.390	4.3875.04.319	4.3875.04.349	4.3875.05.310	4.3875.09.260	4.3875.10.000
4.3875.14.319	4.3875.14.349	4.3875.21.310	4.3875.32.300	4.3875.40.000	4.3875.40.340	4.3875.51.319	4.3875.60.340		

The indicated products correspond to the essential requirement of the following European Directives and Regulations:

2014/30/EU	26.02.2014	DIRECTIVE 2014/30/EU OF THE EUROPEAN PARLIAMENT AND OF THE COUNCIL of 26 February 2014 on the harmonisation of the laws of the Member States relating to electromagnetic compatibility.
2017/2102/EU	15.11.2017	DIRECTIVE (EU) 2017/2102 of the European Parliament and of the Council of November 15, 2017 amending Directive 2011/65/EU on the restriction of the use of certain hazardous substances in electrical and electronic equipment.
2012/19/EU	13.08.2012	DIRECTIVE 2012/19/EU OF THE EUROPEAN PARLIAMENT AND OF THE COUNCIL of 4 July 2012 on waste electrical and electronic equipment (WEEE).
2014/90/EU	23.07.2014	DIRECTIVE 2014/90/EU of the European Parliament and of the Council of 23 July 2014 on marine equipment and repealing Council Directive 96/98/EC Text with EEA relevance.
2018/1139/EU	04.07.2018	Regulation (EU) 2018/1139 of the European Parliament and of the Council of 4 July 2018 on common rules in the field of civil aviation and establishing a European Union Aviation Safety Agency.

The indicated products comply with the regulations of the directives. This is proved by the compliance with the following standards:

DIN EN 60945	2003-07	Maritime navigation and radiocommunication equipment and systems. General requirements. Methods of testing and required test results
DIN EN 61000-4-2	2009-12	Electromagnetic Compatibility (EMC) - Part 4-2: Testing and measuring procedures - Testing of immunity to static electricity discharge
DIN EN IEC 61000-4-3	2021-11	Electromagnetic compatibility (EMC) - Part 4-3: Test and measurement procedures - Testing of immunity to high-frequency electromagnetic fields
DIN EN 61000-4-4	2013-04	Electromagnetic compatibility (EMC) - Part 4-4: Test and measurement methods - Testing of immunity to fast transient electrical disturbances / burst
DIN EN 61000-4-5	2019-03	Electromagnetic compatibility (EMC) - Part 4-5: Test and measurement procedures - Testing of immunity to surge voltages
DIN EN 61000-4-6	2014-08	Electromagnetic compatibility (EMC) - Part 4-6: Test and measurement methods - Immunity to conducted disturbances, induced by high-frequency fields
DIN EN IEC 61000-6-2	2019-11	Electromagnetic compatibility Immunity for industrial environment
DIN EN 61000-6-3:2007 + A1:2011	2011-09	Electromagnetic compatibility (EMC). Generic standards. Emission standard for residential, commercial and light-industrial environments
DIN EN 61010-1	2020-03	Safety requirements for electrical equipment for measurement, control, and laboratory use. General requirements
DIN EN IEC 63000	2019-05	Technical documentation for the assessment of electrical and electronic products with respect to the restriction of hazardous substances.

Göttingen, 27.07.2023



General Manager - Dr. Christoph Peper



Development Manager - ppa. Jörg Peterik

This declaration of conformity is issued under the sole responsibility of the manufacturer.

This declaration certifies the compliance with the mentioned directives, however does not include any warranty of characteristics.

Please pay attention to the security advises of the provided instructions for use.

# 18 UK-CA-Declaration of Conformity

**Manufacturer:** Adolf Thies GmbH & Co. KG  
 Hauptstraße 76  
 37083 Göttingen, Germany  
<http://www.thiesclima.com>

**Product:** Ultrasonic Anemometer 2D compact

Doc. Nr. 607-45134\_CA

**Article Overview:**

4.3875.00.000	4.3876.00.340	4.3875.00.030	4.3875.00.260	4.3875.00.300	4.3875.00.309	4.3875.00.340	4.3875.00.346	4.3875.00.360	4.3875.00.390
4.3875.00.460	4.3875.00.540	4.3875.00.541	4.3875.01.300	4.3875.01.310	4.3875.01.311	4.3875.01.316	4.3875.01.317	4.3875.01.319	4.3875.01.390
4.3875.01.400	4.3875.02.300	4.3875.02.310	4.3875.03.340	4.3875.03.390	4.3875.04.319	4.3875.04.349	4.3875.05.310	4.3875.09.260	4.3875.10.000
4.3875.14.319	4.3875.14.349	4.3875.21.310	4.3875.32.300	4.3875.40.000	4.3875.40.340	4.3875.51.319	4.3875.60.340		

The indicated products correspond to the essential requirement of the following Directives and Regulations:


1091	08.12.2016	The Electromagnetic Compatibility Regulations 2016
RoHS Regulations 2012	01.01.2021	The Restriction of the Use of Certain Hazardous Substances in Electrical and Electronic Equipment Regulations 2012
3113	01.01.2021	Regulations: waste electrical and electronic equipment (WEEE)
2014/90/EU	23.07.2014	DIRECTIVE 2014/90 / EU of the European Parliament and of the Council of 23 July 2014 on marine equipment and repealing Council Directive 96/98 / EC Text with EEA relevance.
2018/1139/EU	04.07.2018	Regulation (EU) 2018/1139 of the European Parliament and of the Council of 4 July 2018 on common rules in the field of civil aviation and establishing a European Union Aviation Safety Agency.

The indicated products comply with the regulations of the directives. This is proved by the compliance with the following standards:

BS EN 60945	15.04.2003	Maritime navigation and radiocommunication equipment and systems. General requirements. Methods of testing and required test results
BS EN 61000-4-2	31.05.2009	Electromagnetic compatibility (EMC). Testing and measurement techniques. Electrostatic discharge immunity test
BS EN IEC 61000-4-3	04.11.2020	Electromagnetic compatibility (EMC). Testing and measurement techniques. Radiated, radio-frequency, electromagnetic field immunity test
BS EN 61000-4-4	30.11.2012	Electromagnetic compatibility (EMC). Testing and measurement techniques. Electrical fast transient/burst immunity test
BS EN 61000-4-5+A1	30.09.2014	Electromagnetic compatibility (EMC). Testing and measurement techniques. Surge immunity test
BS EN 61000-4-6	28.02.2014	Electromagnetic compatibility (EMC). Testing and measurement techniques. Immunity to conducted disturbances, induced by radio-frequency fields
BS EN IEC 61000-6-2	25.02.2019	Electromagnetic compatibility (EMC). Generic standards. Immunity standard for industrial environments
BS EN IEC 61000-6-3	30.03.2021	Electromagnetic compatibility (EMC). Generic standards. Emission standard for equipment in residential environments
BS EN 61010-1+A1	31.03.2017	Safety requirements for electrical equipment for measurement, control, and laboratory use. General requirements
BS EN IEC 63000	10.12.2018	Technical documentation for the assessment of electrical and electronic products with respect to the restriction of hazardous substances

Göttingen, 27.07.2023

Legally binding signature:



General Manager - Dr. Christoph Peper

Legally binding signature:



Development Manager - ppa. Jörg Petereit

This declaration of conformity is issued under the sole responsibility of the manufacturer.

This declaration certifies the compliance with the mentioned directives, however does not include any warranty of characteristics.

Please pay attention to the security advises of the provided instructions for use.



**Please contact us for your system requirements.  
We advise you gladly.**

**ADOLF THIES GMBH & CO. KG**

Meteorology and environmental metrology  
Hauptstraße 76 · 37083 Göttingen · Germany  
Phone +49 551 79001-0 · Fax +49 551 79001-65  
info@thiesclima.com



[www.thiesclima.com](http://www.thiesclima.com)